

Channel Tunnel Rail Link  
Union Railways Ltd

**Boarley Lane, Maidstone, Kent**

ARC BOL 98

Archaeological Evaluation Report

Environmental Statement Route Window No.23

**Contract No. S/400/SP/0009 P482**



Oxford Archaeological Unit

February 1999

© UNION RAILWAYS LIMITED, 1999

All rights including translation reserved. No part of this publication may be reproduced, stored in a retrieval system, or transmitted in any form or by means electronic, mechanical, photocopying, recording or otherwise, without prior written permission of Union Railways Ltd.

UNION RAILWAYS LTD

**Boarley Lane, Maidstone, Kent**

ARC BOL 98

*ARCHAEOLOGICAL EVALUATION*

Environmental Statement Route Window No.23

OS GRID TQ 7610 5925

Contract No. S/400/SP/0009 P482

**FINAL REPORT**

**Volume 1 of 1**

Prepared by: pp. P. MATTHEWS
Date: 5/8/99.
Checked by: <i>[Signature]</i>
Date: 5/8/99.
Approved by: R. Williams
Date: HEAD OF FIELDWORK 5/8/1999

Oxford Archaeological Unit  
Janus House  
Osney Mead  
Oxford OX2 0LS

February 1999

## BOARLEY LANE, MAIDSTONE, KENT

### ARCHAEOLOGICAL EVALUATION

#### CONTENTS

	<i>SUMMARY</i> .....	1
	<b>SECTION 1: FACTUAL STATEMENT</b>	
1	BACKGROUND .....	2
1.1	Introduction .....	2
1.2	Geology, topography and land-use .....	2
1.3	Archaeological and historical background .....	2
2	AIMS .....	3
3	METHOD .....	3
3.1	General .....	3
3.2	Survey .....	3
3.3	Excavation .....	4
3.4	Recording .....	4
4	RESULTS: GENERAL .....	4
4.1	Presentation of results .....	4
4.2	General stratigraphy .....	4
4.3	Summary of archaeology .....	5
4.4	Site archive .....	5
5	TRENCH DESCRIPTIONS .....	5
5.1	Trench 3506TT .....	5
5.2	Trench 3507TT .....	6
5.3	Trench 3508TT .....	6
5.4	Trench 3509TT .....	6
5.5	Trench 3510TT .....	7
6	ARCHAEOLOGICAL CONTEXT INVENTORY .....	8
	<b>SECTION 2: STATEMENT OF IMPORTANCE</b>	
7	CONCLUSIONS .....	10
7.1	Extent of archaeological deposits .....	10
7.2	Date and character of archaeological deposits .....	10
7.3	Environmental evidence .....	10
8	IMPORTANCE OF ARCHAEOLOGICAL REMAINS .....	11
8.1	Survival / condition .....	11
8.2	Period .....	11
8.3	Rarity .....	11
8.4	Fragility / vulnerability .....	11
8.5	Diversity .....	11
8.6	Documentation .....	11
8.7	Group value .....	12
8.8	Potential .....	12
9	BIBLIOGRAPHY .....	13

*List of Appendices*

Appendix 1: Pottery .....	14
Appendix 2: Struck flint.....	15
Appendix 3: Ceramic building material.....	16

*List of Figures*

Fig. 1	Site location map
Fig. 2	Trench location plan
Fig. 3	Trenches 3506TT, 3508TT, plans and sections
Fig. 4	Trenches 3509TT, 3510TT, plans and sections
Fig. 5	Distribution of archaeological finds

## **BOARLEY LANE, MAIDSTONE, KENT**

### **ARCHAEOLOGICAL EVALUATION**

#### **SUMMARY**

*The Oxford Archaeological Unit was commissioned by Union Railways Ltd to conduct a field evaluation of land situated to the south of Boarley Farm and west of Boarley Lane, Maidstone, Kent (NGR TQ 7610 5925). The work was conducted between 13<sup>th</sup> and 17<sup>th</sup> December 1998.*

*Five evaluation trenches were excavated in an area of c 0.6 hectares. A ditch, tree throw hole and possible erosion gully were revealed in trench 3509TT to the south-west of the site. All of these features contained late Neolithic–Bronze Age struck flints; the possible erosion gully also contained a single small, abraded sherd of prehistoric pottery, possibly Beaker.*

*A very large feature at the south of the site could not be positively identified due to persistent flooding but it is likely to have been caused by erosion, close to the present stream course.*

*A small, undated pit was found in trench 3510TT, and a large quarry pit, probably dating to the medieval period, was found in trench 3508TT.*

## SECTION 1: FACTUAL STATEMENT

### 1 BACKGROUND

#### 1.1 Introduction

1.1.1 The Oxford Archaeological Unit (OAU) carried out a field evaluation (Fig.1) on land situated south of Boarley Farm and west of Boarley Lane, near Maidstone, Kent (URL Grid 56100 39300, NGR TQ 7610 5925). The work was conducted on behalf of Union Railways Ltd (URL) between 14<sup>th</sup> December and 18<sup>th</sup> December 1998 as part of a programme of archaeological investigation along the line of the Channel Tunnel Rail Link. The purpose of the investigation was to assess the impact of the rail link on the cultural heritage of the site. The site lies within Environmental Statement Route Window No. 20, and an environmental assessment has been prepared (URL 1994).

1.1.2 The site, which is *c* 0.6 ha in extent, is situated between two areas of an evaluation carried out in September 1997 by the Museum of London Archaeology Service (MoLAS, URL 1997).

1.1.3 The evaluation was conducted in accordance with a Written Scheme of Investigation prepared by URL and agreed with the County Archaeologist and English Heritage.

#### 1.2 Geology, topography and land-use

1.2.1 The site lies within the undulating landscape at the foot of the North Downs. The solid geology of the area is chalk. A Head deposit, generally consisting of silty clay with flints, has been deposited over this landscape by solifluction. Subsequent erosion has often removed the Head deposit and the weathered chalk, but at Boarley Farm a large area of the Head remains *in situ*.

1.2.2 A spring and stream border the western limit of the evaluation area. Here the chalk had been reduced by erosion to form clay.

1.2.3 The site is 0.6 hectares in area and slopes away to the south-west. Trench 3510TT lies at 44.4m above Ordnance Datum (OD). Trench 3507TT lies at 50.8m above OD.

1.2.4 Prior to the evaluation, the site was in use as pasture.

#### 1.3 Archaeological and historical background

1.3.1 No archaeological sites or find spots have previously been recorded within the site boundaries.

1.3.2 Surface collection surveys to the south-east and west of the site recorded diffuse scatters of prehistoric worked flints, including a polished axe fragment, as well as burnt flint and Iron Age, Roman and medieval pottery (CTRL, Assessment of Historic and Cultural Effects, OAU 1994, vols. 1 and 2).

1.3.3 In 1997, an evaluation carried out by MoLAS identified two areas of archaeological activity within 200m of the site (URL 1997).

To the north-west a very large chalk quarry and a shallow, flat-bottomed ditch aligned east west were located. The date of these features is uncertain but they were thought to be medieval or post medieval. To the east, a concentration of 34 postholes and 4 pits, dating to the late Iron Age/ early Roman period indicated an area of occupation. Recent excavation slightly to the north-west of these features revealed a Roman ditch and two post-holes probably contemporary with those found during the MoLAS evaluation.

## **2 AIMS**

2.1 The aims of the evaluation, as set out in the Written Scheme of Investigation, are as follows:

2.1.1 To determine the presence /absence, extent, condition, character, quality and date of any archaeological remains within the area of the evaluation.

2.1.2 To determine the presence and potential of environmental and economic indicators preserved in any archaeological features or deposits.

2.1.3 To establish the local, regional, national and international importance of such remains and the potential for further archaeological fieldwork to fulfil local, regional and national research objectives.

## **3 METHOD**

### **3.1 General**

3.1.1 A detailed Written Scheme of Investigation (WSI) for the evaluation was prepared by URL and agreed with the County Archaeologist and English Heritage. The following summarises the archaeological aspects of the methodology and notes any deviations from the originally agreed specification.

### **3.2 Survey**

3.2.1 The trenches were laid out by hand and their locations subsequently surveyed by the OAU. The trenches have been plotted (Fig. 2) from digital information using the AutoCAD graphics programme.

3.2.3 All co-ordinates used in this report relate to the URL local project grid unless otherwise stated. A full list of Ordnance Survey National Grid trench co-ordinates, together with the conversion formula used to calculate them, is included in the site archive. Individual trenches were planned manually in the field at a scale of 1:50. Sections were drawn at a scale of 1:20 or 1:50 as appropriate.

3.2.4 The evaluation area (Fig. 2) falls within URL Environmental Route Window 20.

### **3.3 Excavation**

3.3.1 Five trenches were excavated to provide a *c* 4% sample of the evaluation area.

3.3.2 All trenches were 30 m long and 1.6 m wide. They were excavated using a 360° tracked mechanical excavator with a toothless ditching bucket, under close archaeological supervision. Machine excavation was stopped at the top of the natural chalk or at a depth of 1.2 m. where the nature of the underlying natural was uncertain.

3.3.3 The trenches were hand-cleaned except where archaeological deposits were clearly absent. Sample sections were excavated through all archaeological features and possible features. Artefacts from archaeological features and colluvial deposits were collected by context and submitted for specialist examination.

### **3.4 Recording**

3.4.1 Recording followed the standard OAU single context recording system (Wilkinson ed. 1992). All site records were prefaced by the site code ARC BOL 98.

3.4.2 All trenches and archaeological features were photographed using colour slide and black and white print film.

## **4 RESULTS: GENERAL**

### **4.1 Presentation of Results**

4.1.1 Detailed trench descriptions are presented in Section 5. A summary of all contexts and finds is presented in the archaeological context inventory (Section 6). Detailed reports on the pottery and flint and ceramic building material are contained in Appendices 1, 2 and 3.

### **4.2 General stratigraphy**

4.2.1 The site was covered by colluvial deposits, which slope down towards the south-west. The colluvium varied from a light grey silty clay to light yellowish grey silty clay with occasional chalk flecking. These colluvial clays were overlain by light pinkish white, powdery colluvial chalk-with-clay within trenches 3506TT, 3508TT, 3509TT and 3510TT. In trench 3506 the natural also consisted of a friable, pale pinkish white, powdery chalk-with-clay (608), but underlying clays were not apparent.

4.2.2 Within the two lowest excavated trenches, 3509TT and 3510TT, the colluvial chalk was partially covered by probable fluvial deposits up to 0.6m in depth, lying close to the stream.

4.2.3 In trenches 3506TT and 3507TT intermittent buried soils overlay natural chalk or colluvium. These deposits consisted of a brown to orange-brown silty clay, which was up to 0.4m thick. Within trench 3506TT this deposit sealed the features.

4.2.4 In all trenches the upper part of the soil sequence comprised a post-medieval plough disturbed subsoil, and topsoil. The subsoil varied in depth from 0.25m to 0.5m thick. The topsoil was up to 0.22m thick.

### **4.3 Summary of archaeology**



- 4.3.1 The evaluation revealed a single ditch and a broad erosion gully within trench 3509TT, a small undated pit within trench 3506TT and a very large, possibly medieval quarry pit within trench 3508TT. The features in trench 3509TT produced 18 pieces of struck flint, which are consistent with a date in the late Neolithic-Bronze Age. The erosion gully also produced a single, small, abraded sherd of prehistoric pottery that may be Beaker.
- 4.3.2 A single sherd of medieval pottery was recovered from the subsoil in trench 3508TT.
- 4.3.3 Post-medieval pottery sherds and ceramic building material were recovered from the subsoil and topsoil in four of the trenches.

#### **4.4 Site archive**

- 4.4.1 The site archive has been compiled in accordance with the specification prepared by URL and agreed with English Heritage and the County Archaeologist. It includes six electronic datasets for the Fieldwork Event, Contexts, Bulk Finds, Finds, Environmental Samples and Graphical Output.

### **5 TRENCH DESCRIPTIONS**

#### **5.1 Trench 3506TT (Fig.3)**

- 5.1.1 The trench was excavated to a maximum depth of 1.14m.
- 5.1.2 The earliest features (605, 607, 610) cut an underlying powdery chalk and were sealed by a brown silt-clay subsoil that was up to 0.34m thick.
- 5.1.3 A shallow, north-south aligned, irregular cut (605), with a maximum depth of 0.16m, contained two fills, the lower consisting of a dark brown clayey-silt (604) with occasional nodular flints and what appeared to be a fine, black powdery ash. A thin, intermittent lens of powdery chalk (603) overlay this. Neither fill contained any finds.
- 5.1.4 An irregular circular pit (607), located towards the centre of trench 3506TT, measured 0.6m long x 0.5 m wide x 0.2m deep. It had steeply concave sides with a flat base. The fill of this feature (606) consisted of a grey-brown clayey silt with very fine powdery chalk. The fill was fully excavated but contained no finds.
- 5.1.5 A smaller irregular feature (610) was located close to pit 607. The overall dimensions of this feature were 0.35m wide x 0.35m long x >0.15m deep (excavated depth).
- 5.1.6 While no conclusive evidence for the date or origin of these features was recorded, their irregularity suggests that they are most likely to be of natural origin.

#### **5.2 Trench 3507TT**

5.2.1 No archaeological features were found within this trench, which was excavated to a maximum depth of 1.3m to ensure that archaeological features or buried soils were not present, sealed beneath colluvial deposits.

### **5.3 Trench 3508TT (Fig.3)**

5.3.1 This trench was excavated to a maximum depth of 1.35m.

5.3.2 The soil sequence consisted of grey clays overlain by a layer of clay with powdery chalk (804), which was typically 0.1m thick. These layers were in turn covered by up to 0.48m of yellowish grey silty clay (802).

5.3.3 Within the western end of trench 3508TT what initially appeared to be two large pits, (809) was on further investigation found to be one large feature. A section across this feature was excavated at its eastern edge to reveal a generally straight, moderately sloping side, with a slight step at the top. Persistent flooding within the area of this feature precluded further excavations. The overall dimensions of this feature were at least 9.3m long x 0.85m deep, within the confines of the trench. The single, homogeneous fill consisted of a pale pinkish brown silty clay (808), which produced a small amount of animal bone and a single small and abraded fragment of undiagnostic brick or tile.

5.3.4 The fill of pit 809 was sealed by a light brown clayey silt subsoil (801). This was up to 0.26m thick and extended across the whole trench beneath the present topsoil.

### **5.4 Trench 3509TT (Fig.4)**

5.4.1 This trench was excavated to a maximum depth of 1.3m.

5.4.2 The natural within this trench appeared to be a pale greyish white powdery chalk in clay (903).

5.4.3 Three features were investigated within the trench: A shallow and irregular tree throw hole (905); a curving, east-west aligned ditch (909) and a broad erosion gully (914).

5.4.4 The erosion gully (914) was aligned approximately south-east to north-west across the excavated trench. The edge of the feature was well defined against the chalky clay natural (903). It was at least 0.6m deep and had a flat base with a gradually sloping, irregular side. The colluvial fills consisted of a sequence of silty clays (911, 912, 913). Seven pieces of struck flint and one small, abraded pottery sherd were recovered from the lower part of the sequence. This sherd is certainly prehistoric, possibly Beaker (see Appendix 1). However, the heavily abraded state of the pottery suggests that it has been redeposited by slope erosion.

5.4.5 A narrow, gently curving trench (909) cut the erosion gully at its northern-most extent. The ditch, which was aligned approximately north-west to south-east across the trench, had steep straight sides with a flat base and measured 0.6m wide by 0.4m deep. The primary fill consisted of a fine, greyish white powdery chalk 0.22m thick. This was overlain by a greyish brown slightly silty clay up to 0.18m thick, which contained

seven pieces of struck flint. The flint recovered from this area is tentatively dated to the late Neolithic-Bronze Age (see Appendix 2).

5.4.6 A very shallow, irregular cut (905) was present at the northern end of this trench. Although the fill contained four pieces of struck flint, the irregular shape and profile suggest that it is probably of natural origin.

5.4.7 All of the flint recovered from this trench is tentatively dated to the late Neolithic-Bronze Age (Appendix 2).

## **5.5 Trench 3510TT (Fig. 4)**

5.5.1 This trench was excavated to a maximum depth of 1m, to a powdery, greyish white chalk.

5.5.2 Towards the south of the trench a large irregular feature (1008) is likely to have been caused by root disturbance. This feature cut the underlying chalk natural and was irregular in both shape and profile. The fill of the feature was a light grey clay, which contained no finds.

5.5.3 At the southern end of the trench the underlying natural chalk sloped down towards the south at *c* 30° and was overlain by a light brown clay (1006) up to 0.6m thick. This deposit, which is likely to be fluvial in origin as it lies adjacent to the stream, contained no finds.

Table 1: ARCHAEOLOGICAL CONTEXT INVENTORY

Abbreviations:						
LN/EBA	Late Neolithic/ Early Bronze Age					
PRE	Prehistoric					
Pre PM	Medieval or earlier					
MED	Medieval					
Post-med	Post-medieval					
<b>ARC BOL 98: Boarley Lane evaluation</b>						
Trench	Context	Description	Association	Finds	Number	Date
3506TT	600	Topsoil	Over 601	Pot	1	Post-med
				CBM.	1	
				Shell	1	
3506TT	601	Subsoil	Under 600, over 602	CBM.	2	Post-med
3506TT	602	Lower subsoil	Under 601, over 604			
3506TT	603	Powdery chalk	Under 602, Fill of 605			
3506TT	604	Primary fill	Under 603, Fill of 605			
3506TT	605	Possible gully	Filled by 603,604, cuts 608			
3506TT	606	Fill of pit	Under 602, fill of 607			
3506TT	607	Pit	Filled by 606, cuts 608			
3506TT	608	Natural chalk	Cut by 605,607,610			
3506TT	609	Fill of nat. feature	Under 602, fill of 610			
3506TT	610	Natural feature	Filled by 609, cuts 608			
3507TT	700	Topsoil	Over 701			
3507TT	701	Subsoil	Under 700, over 702	Pot	1	Post-med
				CBM	3	Post-med
				Bone		
3507TT	702	Buried soil	Under 700, over 703			
3507TT	703	Natural clay	Under 702, over 704			
3507TT	704	Chalk flecking	Under 703, over 705			
3507TT	705	Natural clay	Under 704			
3507TT	706	Natural clay	Under 703			
3508TT	800	Topsoil	Over 801			
3508TT	801	Subsoil	Under 800, over 808	Pot	1	Medieval
3508TT	802	Silty clay	Under 807, over 804			
3508TT	803	Silty clay	Under 804			
3508TT	804	Powdery chalk	Under 803, over 803, 805			
3508TT	805	Clay	Under 804			
3508TT	806	Chalk	Cut by 809, over 807			
3508TT	807	Buried soil	Under 806, over 802			
3508TT	808	Fill of 809	Under 801, fill of 809	CBM	1	Pre-PM
				Bone		
3508TT	809	Quarry pitting	Filled by 808, cuts 806			
3509TT	900	Topsoil	Over 901			
3509TT	901	Subsoil	Under 900, over 902,906			
3509TT	902	Clay	Under 902, over 903			
3509TT	903	Natural chalk	Cut by 905,909,914			
3509TT	904	Fill of 905	Under 902, fill of 905	Flint	4	LN/ BA ?
3509TT	905	Natural feature	Cuts 903, Filled by 904			
3509TT	906	Clay	Under 901, over 907,910			
3509TT	907	Upper fill of 909	Under 906, over 908	Flint	7	LN/ BA ?

Trench	Context	Description	Association	Finds	Number	Date
3509TT	908	Primary fill of 909	Under 907, fill of 909			
3509TT	909	NW-SE ditch	Filled by 907,908, cuts 913			
3509TT	910	Clay	Under 906,over 911,912			
3509TT	911	Clay	Under 910,over 913			
3509TT	912	Clay	Under 910,over 913			
3509TT	913	Fill of 914	Under 911,912, fill of 914	Flint	7	LN/ BA ?
				Pot	1	(Beaker?)
3509TT	914	Broad SW-NE cut	Filled by 911,912,913,cuts 903			
3510TT	1000	Topsoil	Over 1001			
3510TT	1001	Subsoil	Under 1000,over 1002,1006			
3510TT	1002	Redeposited chalk	Under 1001, over 1003			
3510TT	1003	Natural chalk	Under 1002, cut by 1009			
3510TT	1004	Clay	Under 1005			
3510TT	1005	Chalky clay	Under 1003			
3510TT	1006	Chalky clay	Under 1001, fill of 1009			
3510TT	1007	Fill of 1008	Under 1001, fill of 1008			
3510TT	1008	Tree bole	Filled by 1007, cuts 1003			
3510TT	1009	Former stream channel	Filled by 1006, cuts 1003			

## SECTION 2: STATEMENT OF IMPORTANCE

### 7 CONCLUSIONS

#### 7.1 Extent of archaeological deposits (Fig. 5)

- 7.1.1 A small assemblage of prehistoric struck flints and a single abraded sherd of prehistoric pottery (possibly beaker), were recovered from a ditch, tree throw hole and probable erosion gully in trench 3509TT. The beaker sherd was found near the base of the erosion gully.
- 7.1.2 A single undated pit or root hole was recorded in trench 3506TT.
- 7.1.3 A very large quarrying pit, possibly of medieval date, was located in trench 3508TT.

#### 7.2 Date and character of archaeological deposits

- 7.2.1 The site is characterised by complex natural deposits and features formed by a combination of colluvial and fluvial deposition. The ground slopes down towards the stream at the southern end of the site, where a probable fluvial deposit (1006) overlies the colluvial deposits.
- 7.2.2 A single sherd of prehistoric pottery was recovered from the fill (913) of an erosion gully (914) in trench 3509TT. This has been dated as prehistoric, possibly Beaker (Appendix 1). The sherd is very small, abraded and likely to be residual. Fourteen pieces of struck flint were also recovered from this feature and from the fill of a ditch in the same trench. Four pieces of struck flint were also recovered from the fill of a probable tree bole in this trench. The struck flint is consistent with a late Neolithic-Bronze Age date (Appendix 2). This small finds assemblage is most likely to have accumulated as a result of slope erosion.
- 7.2.3 A very large quarry pit (809) in trench 3508TT contained undiagnostic bone fragments and a single small and abraded fragment of brick or tile, which is probably of medieval or earlier date. A single sherd from a medieval cooking pot was also recovered from the subsoil in this trench.
- 7.2.4 There is no evidence for occupation of any period on the site, although the finds indicate some activity in the vicinity in the prehistoric and medieval periods.

#### 7.3 Environmental evidence

- 7.3.1 No deposits containing material suitable for paleo-environmental reconstruction were identified. Column samples were not recovered from the colluvial and fluvial deposits as the sequence is poorly dated and appears to be much disturbed. A full series of environmental samples has been recovered from the adjacent site at East of Boarley Farm.
- 7.3.2 A small amount of animal bone was recovered from context 701, a post-medieval subsoil layer, and context 808, the fill of a very large, possibly medieval quarry pit. The

bone fragments recovered were too small to be identified by species and therefore have no significant analytical value.

## **8 IMPORTANCE OF ARCHAEOLOGICAL DEPOSITS**

### **8.1 Survival/condition**

8.1.1 Two probable archaeological features, and a number of features of probable natural origin, were identified. The small number of finds recovered were abraded, in particular the pottery and tile, probably as a result of redeposition by slope erosion.

### **8.2 Period**

8.2.1 The quantity of struck flint from the features in Trenches 3509TT suggests activity in the late Neolithic-Bronze Age period in the area, as does the single very small sherd of prehistoric (possibly Beaker) pottery also recovered from this trench.

8.2.2 The large quarry pit in trench 3508TT contained a single small fragment of brick or tile, as well as a small amount of undiagnostic animal bone. The size and condition of the ceramic building material fragment prevented close identification of date and type but it is most likely to date from the medieval period or earlier. A single sherd of medieval pottery was recovered from the subsoil (801) in this trench.

### **8.3 Rarity**

8.3.1 The archaeological finds and features found during the evaluation indicate prehistoric and medieval activity in the general area. Evidence for settlement, agriculture and ritual activity of most periods is common on the chalk at the foot of the North Downs escarpment, and this site provides little new information.

### **8.4 Fragility/vulnerability**

8.4.1 The archaeological features within the evaluation trenches were located between 0.5 m and 0.9 m beneath the present ground level. The deposits will be removed during the construction of the rail link.

### **8.5 Diversity**

8.5.1 The few archaeological finds and features discovered provide little information on the nature and diversity of prehistoric and later activity in the area.

### **8.6 Documentation**

8.6.1 There is little documentation relating directly to the site prior to the CTRL Assessment of Historic and Cultural Effects (URL 1994).

8.6.2 A report has been produced on the evaluation carried out by MoLAS to the west and east of the site in 1997 (URL 1997). The results of current mitigation works in the same areas will be assessed during 1999.

## **8.7 Group value**

- 8.7.1 Although the evaluation recovered little information of intrinsic interest, the results will contribute to the study of this part of the CTRL route, which has been the subject of intensive archaeological investigation.

## **8.8 Potential**

- 8.8.1 Archaeological features, including a possible prehistoric ditch and a possible medieval quarry pit, were identified. However, the dating and interpretation of the features is blurred by the presence of erosion gullies and other features, apparently of natural origin, which contain redeposited archaeological finds. The site therefore offers little potential for further study.



## 9 BIBLIOGRAPHY

- |                  |      |  |
|------------------|------|--|
| URL              | 1994 | <i>Union Railways Limited, Channel Tunnel Rail Link: Assessment of Historic and Cultural Effects. Final Report.</i> (4 vols. Prepared for URL by OAU).                       |
| URL              | 1995 | <i>1994 Surface Collection Survey.</i> Unpublished report prepared by OAU for Union Railways Limited, Channel Tunnel Rail Link.  |
| URL              | 1997 | <i>Boarley Farm: ARC BFM 97, An Archaeological evaluation.</i> Report prepared by Museum of London Archaeology Service for Union Railways Limited, Channel Tunnel Rail Link. |
| Wilkinson D (ed) | 1992 | <i>Oxford Archaeological Unit Field Manual,</i> (First edition, August 1992).  |

## APPENDIX 1

### POTTERY

by Paul Booth, Oxford Archaeological Unit

#### 1 Introduction

1.1 A total of 4 sherds of pottery, weighing 100g, were recovered from four separate contexts in four of the evaluation trenches. The pottery was mostly medieval or post-medieval in date with the exception of a single very small, abraded sherd of prehistoric date (possibly Beaker), which was recovered from a very large feature, interpreted as an erosion gully, at the southern end of trench 3509TT. The grossly abraded state of the sherd indicates that it is probably residual.

#### 2 Methodology

2.1 The assemblage is quantified by sherd count and weight (see Table 2).

#### 3 Prehistoric

3.1 A tiny abraded fragment (1g) in a variably fired fabric tempered with small rounded grog inclusions and occasional shell fragments. Prehistoric, and possibly Beaker. Context 913.

#### 4 Medieval

4.1 A base angle sherd (17g) in a reduced shell and sand tempered fabric, from a sagging based cooking pot, 11<sup>th</sup>-13<sup>th</sup> century. Context 801.

#### 5 Post-medieval

5.1 Two red earthenware base sherds, one (38g) with internal brown glaze, the other (44g) unglazed. Post-medieval. Contexts 600 and 701 respectively.

#### 6 Conclusions

6.1 Only one sherd was recovered from a feature (context 913). An early Bronze Age date is possible for this fragment, but on the basis of its very abraded condition it is probably grossly residual in this context. The remaining material sheds no significant light on activity on the site.

Table 2: Quantification of all pottery by sherd number and weight.

Context	Trench	Type	Prehistoric	Medieval	Post-medieval	Total
600	3506TT	Topsoil			1 (38g)	1 (38g)
701	3507TT	Subsoil			1 (44g)	1 (44g)
801	3508TT	Subsoil		1 (17g)		1 (17g)
913	3509TT	Quarry pit fill	1 (1g)			1 (1g)
Total			1 (1g)	1 (17g)	2 (82g)	4 (100g)

## APPENDIX 2

### The flint

by Theresa Durden, Oxford Archaeological Unit

#### 1 Introduction

- 1.1 A total of 18 pieces of flint were recovered from the evaluation. Most of the flint was of reasonably good quality and quite heavily corticated white or grey-white. Cortex, where present, was greyish or white and would identify the material as chalk flint.
- 1.2 The material was recovered from a single trench, 3509TT, from three contexts, 904 (the fill of a natural feature), 907 (the upper fill of an undated ditch) and 913 (the fill of an undated broad ditch or cut).
- 1.3 The flint is summarised by context in Table 3.

Table 3: Distribution of flint by trench and context.

Context	Trench	Type	Description
904	3509TT	Fill of natural feature	4 flakes
907	3509TT	Fill of ditch	5 flakes, 1 keeled core, 1 piece burnt unworked flint
913	3509TT	Fill of erosion gully	5 flakes, 1 piece irregular waste, 1 piece burnt unworked flint

#### 2 Discussion

- 2.1 The assemblage consisted mostly of flakes, all of which were broad with plain striking platforms. A mixture of hard and soft hammers had been used. There was no evidence of platform preparation nor had any of the flakes been retouched. The single core (303g) was a keeled type, but a very crude example on an irregular nodule, with only a few flakes removed. In addition, a piece of irregular waste and two pieces of burnt unworked flint were also recovered.
- 2.2 Although no diagnostic pieces were present, the morphology of the flakes (broad, with some pieces relatively thin and regular) and their lack of preparation would indicate a broad date range of late Neolithic – Bronze Age. There are too few pieces in the assemblage to suggest any possible function.

### APPENDIX 3

#### The ceramic building material

by Kate Atherton, Oxford Archaeological Unit.

#### 1 Introduction

- 1.1 The evaluation produced seven fragments of ceramic material from topsoil or subsoil layers. Four fragments of roof tile were found, two of which came from context 701 and two from context 601. All four fragments have a measurable thickness of 11mm. Three of the tiles appear to be made from the same soft and sandy fabric while the fourth, from context 701, is made from a more micaceous fabric. Context 701 also produced a thin slice of building material that may possibly be from a brick. All of these fragments are post-medieval.
- 1.2 Two other fragments of building material that may be medieval or earlier were found in contexts 600 and 808. However, these fragments are small and weathered and have no measurable dimensions.
- 1.3 The ceramic material is summarised by context in Table 4.

*Table 4: Distribution of ceramic building material by context.*

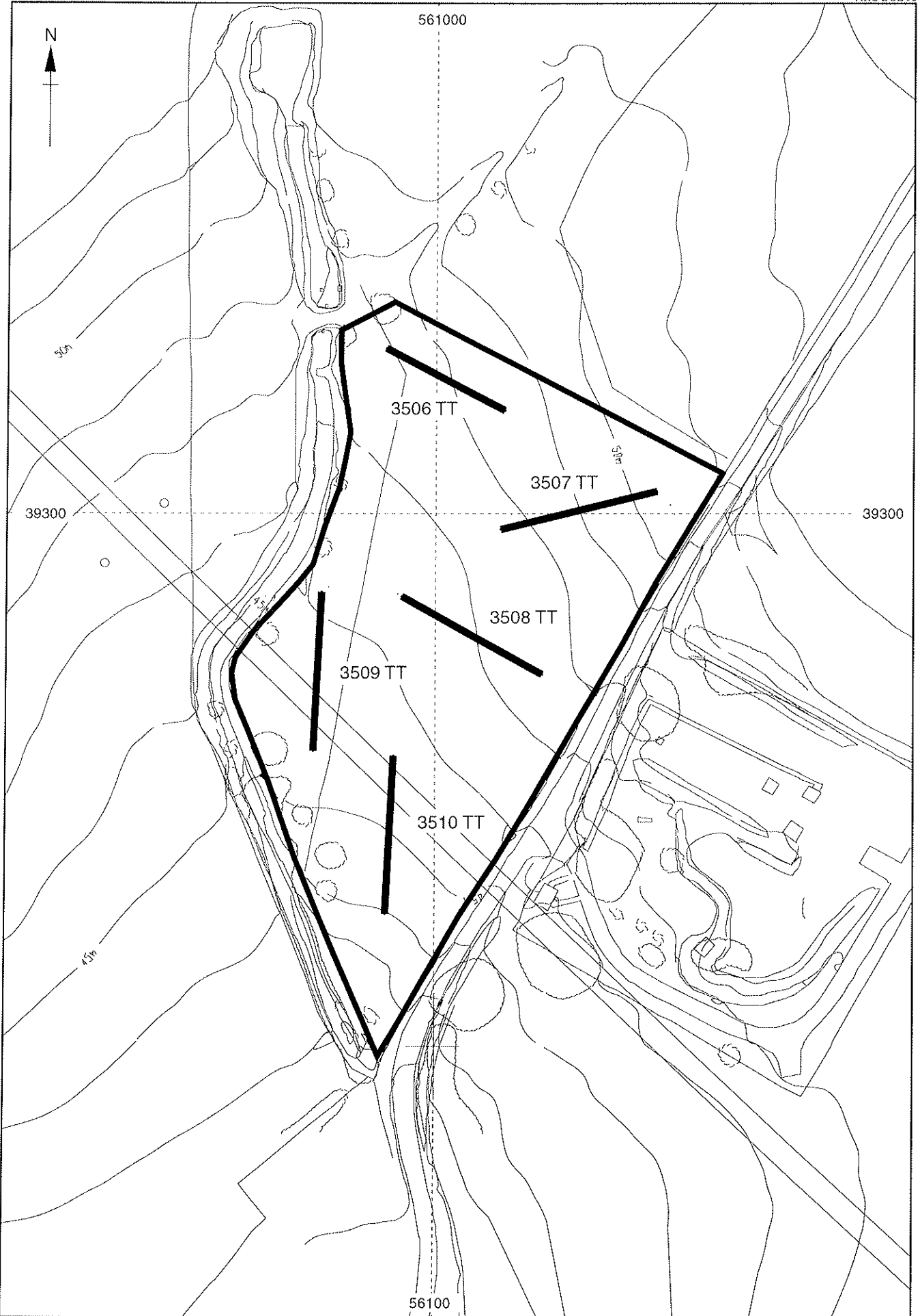
Context	Trench	Type	Description	Date
600	3506TT	Topsoil	?	Med ?
601	3506TT	Subsoil	Roof tile	Post-medieval
601	3506TT	Subsoil	Roof tile	Post-medieval
701	3507TT	Subsoil	Roof tile	Post-medieval
701	3507TT	Subsoil	Roof tile	Post-medieval
701	3507TT	Subsoil	Brick?	Post-medieval
808	3508TT	Fill of quarrying cut	?	Med?



Reproduced from the Ordnance Survey's 1:25,000 map of 1982 with the permission of Her Majesty's Stationary Office © Crown Copyright. Licence NO. AL 854166

scale 1:25 000

figure 1 : location of site



scale 1:1000

figure 2 : location of trenches

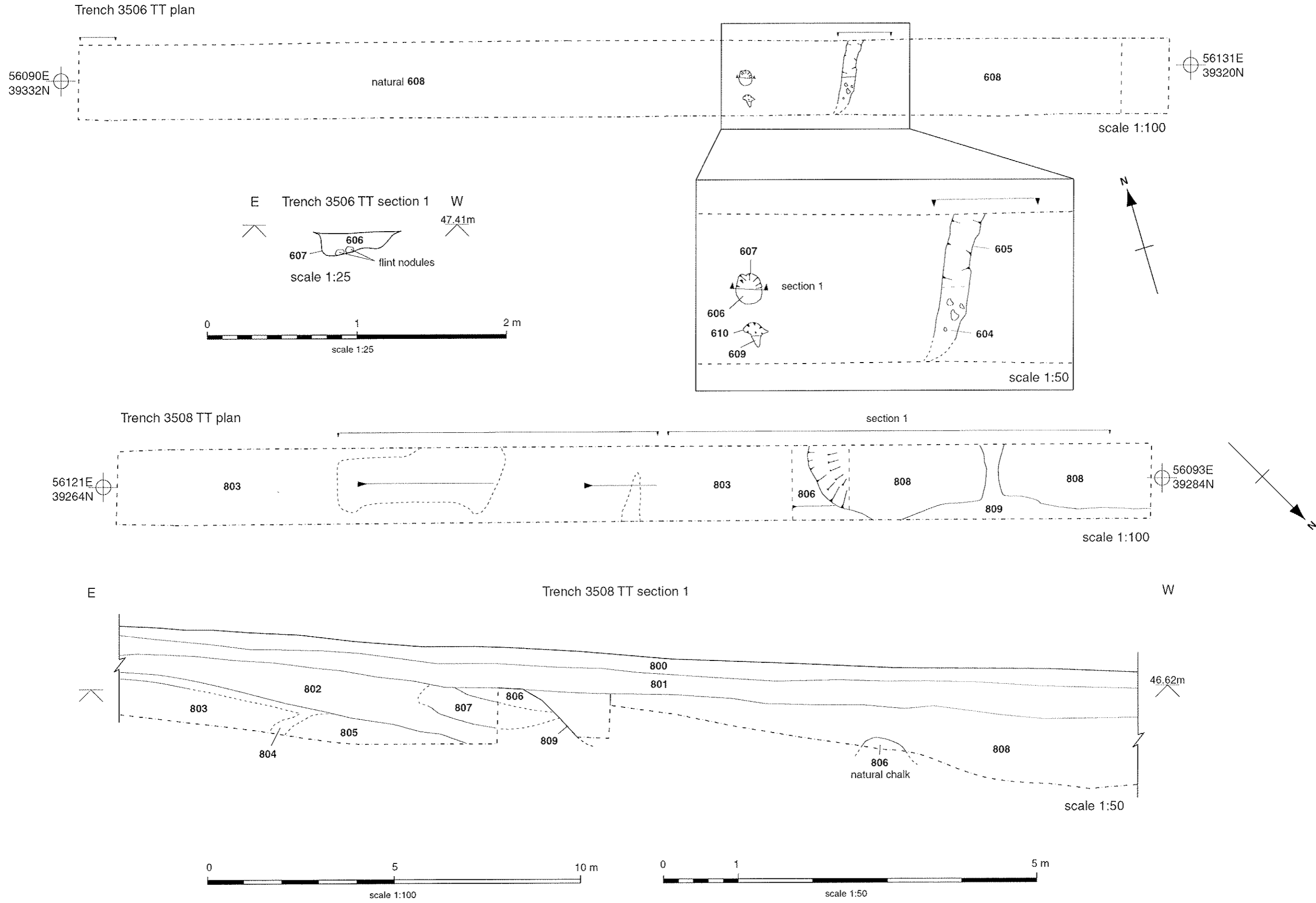


figure 3 : trenches 3506 TT and 3508 TT plans and sections.

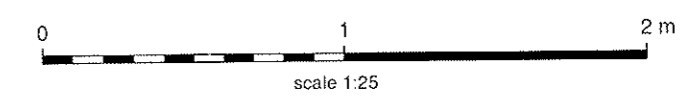
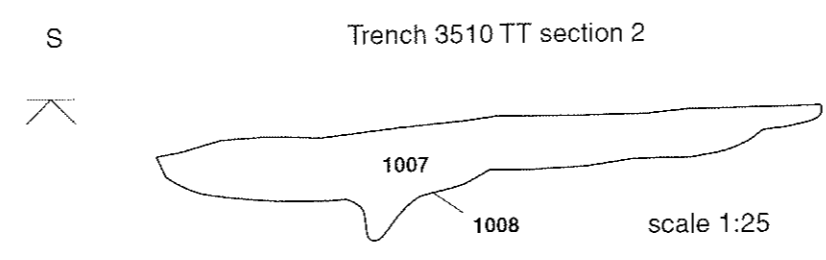
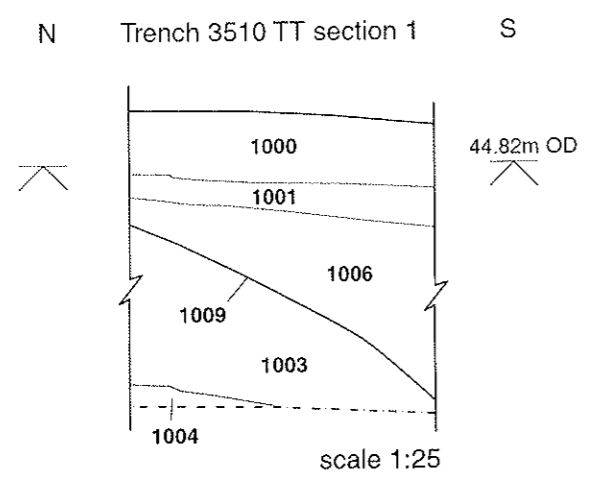
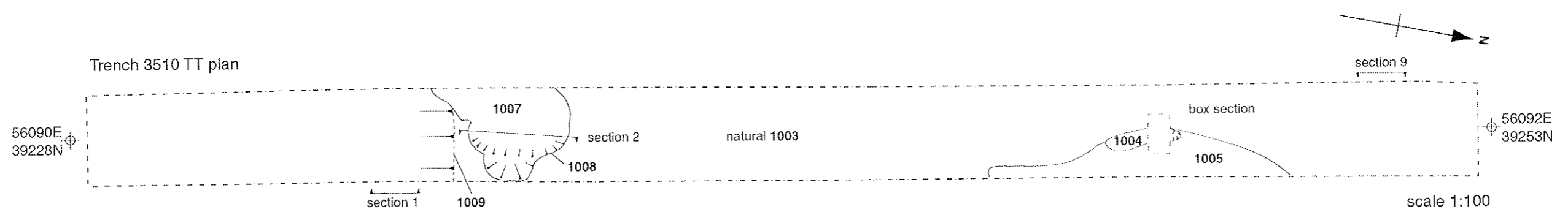
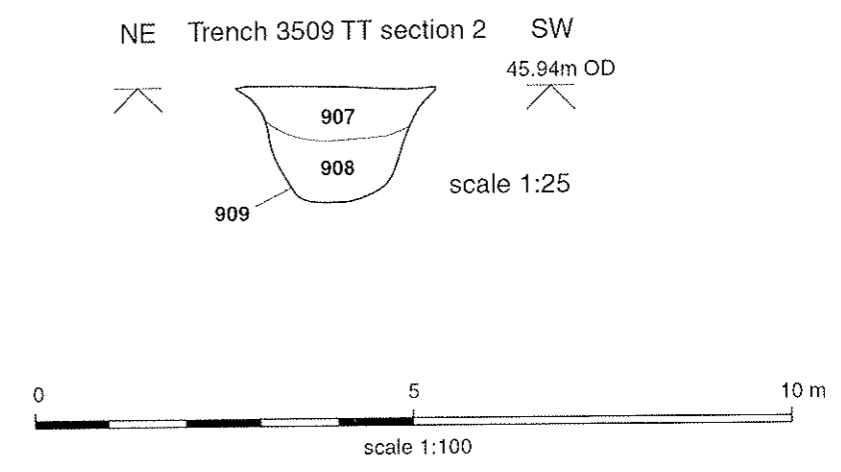
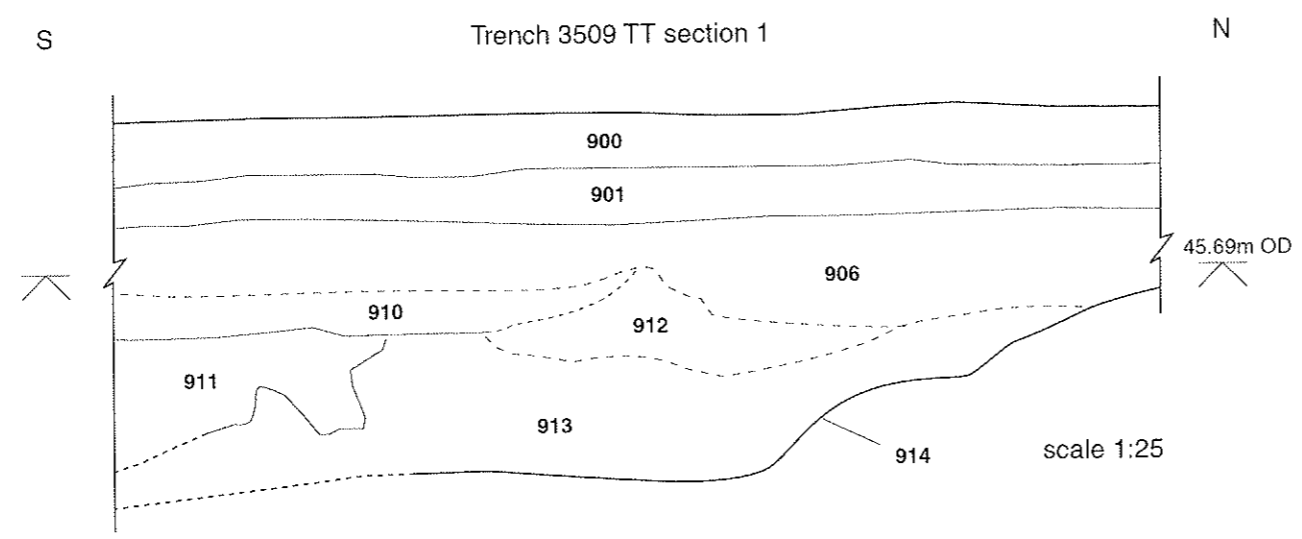
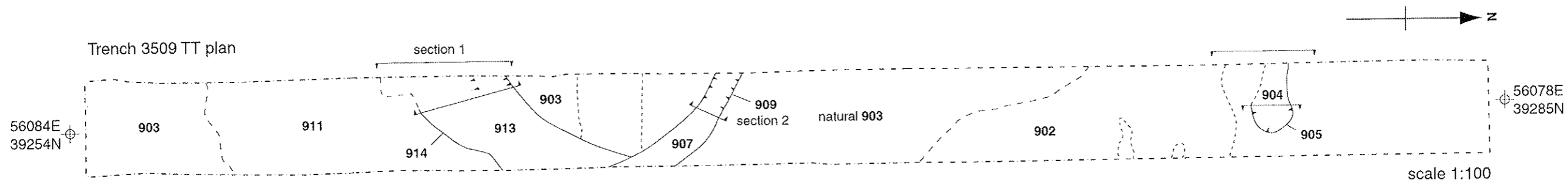
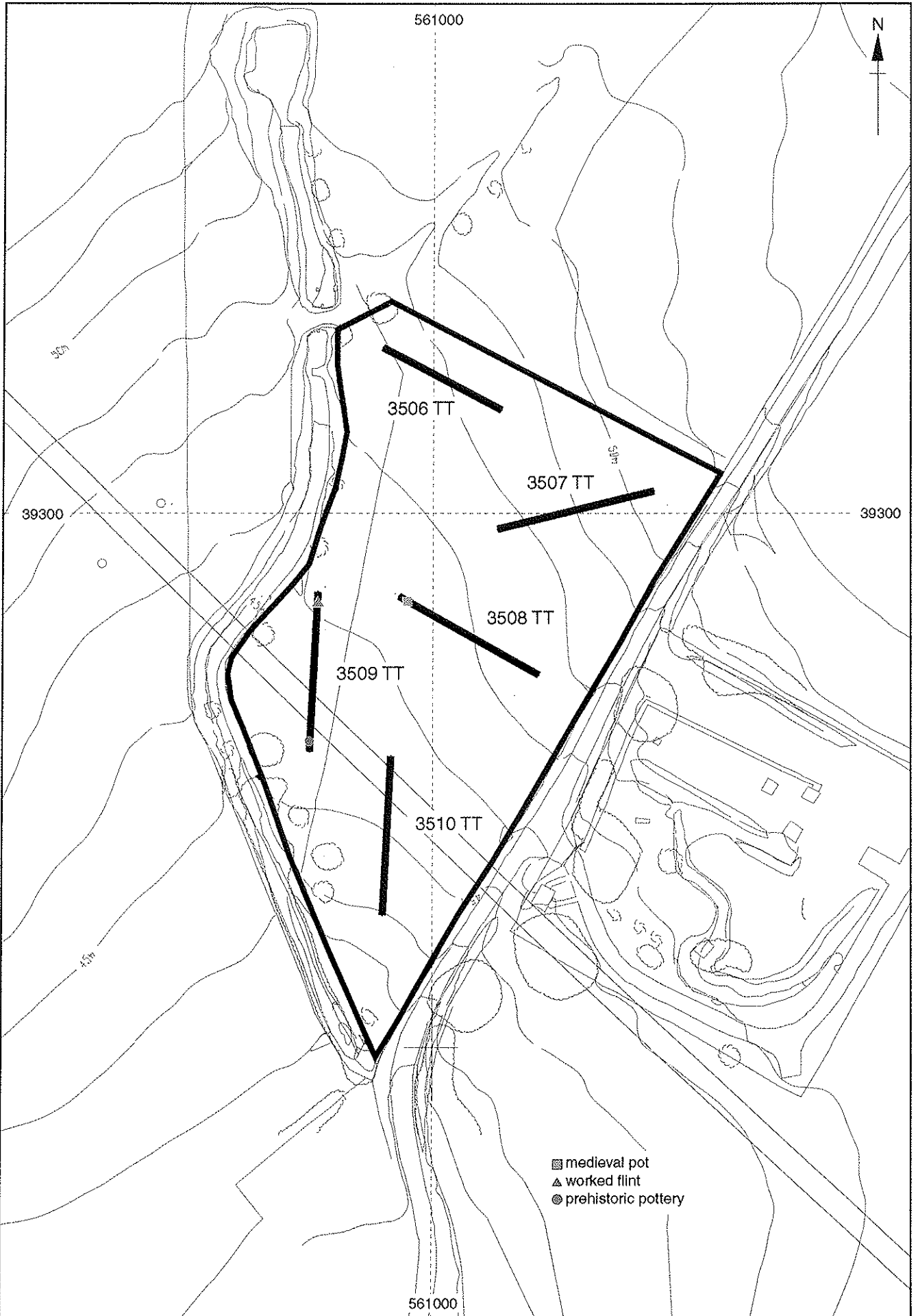


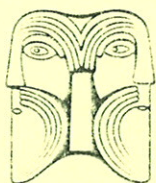
figure 4 : trenches 3509 TT and 3510 TT plans and sections





scale 1:1000

figure 5 : location of trenches



## OXFORD ARCHAEOLOGICAL UNIT

Janus House, Osney Mead, Oxford, OX2 0ES

Tel: 01865 263800 Fax: 01865 793496  
email: [postmaster@oau-oxford.demon.co.uk](mailto:postmaster@oau-oxford.demon.co.uk)



---

Director and Chief Executive: David Jennings B.A., M.I.F.A. Oxford Archaeological Unit Limited.  
Private Limited Company Number: 1618597 Registered Charity Number: 285627.  
Registered Office: Janus House, Osney Mead, Oxford OX2 0ES