



Sideway Farm Stoke-on-Trent Staffordshire

Excavation Report



February 2006

client logo

Client: CgMs Consulting

Issue N^o: 1

OA Job N^o: 2815

NGR: SJ 879 429

Client Name: CgMs Consulting
Client Ref No:
Document Title: Sideway Farm, Stoke-on-Trent, Staffordshire

Document Type: Archaeological Excavation Report
Issue Number: 1

National Grid Reference: SJ 879 429
Planning Reference:

OA Job Number: JN 2815
Site Code: SOTST05
Invoice Code: SOTSFEX
Receiving Museum: TBC
Museum Accession No: TBC

Prepared by: Neville-Redvers Higgins
Position: Supervisor
Date: 20th November 2005

Checked by: Alan Hardy
Position: Senior Project Manager
Date: 11th January 2006

Approved by: Nick Shepherd
Position: Head of Fieldwork
Date: 12th January 2006

Signed..... *J.R. Hiller* J.R. HILLER
SENIOR PROJECT
MANAGER
pp. N. SHEPHERD
16/1/2006.

Document File Location \\SERVER3\Users_overflow\alan.hardy\oau\oau\Sideway
Farm\SidewayFarmReportFinal.doc
Graphics File Location Servergo;\oaupubsi-z*SidewayFarm,
Stoke,Staffs*jm*SOTSFEX.16.08.05
Illustrated by Julia Moxham

Disclaimer:

This document has been prepared for the titled project or named part thereof and should not be relied upon or used for any other project without an independent check being carried out as to its suitability and prior written authority of Oxford Archaeology being obtained. Oxford Archaeology accepts no responsibility or liability for the consequences of this document being used for a purpose other than the purposes for which it was commissioned. Any person/party using or relying on the document for such other purposes agrees, and will by such use or reliance be taken to confirm their agreement to indemnify Oxford Archaeology for all loss or damage resulting therefrom. Oxford Archaeology accepts no responsibility or liability for this document to any party other than the person/party by whom it was commissioned.

Oxford Archaeology

© Oxford Archaeological Unit Ltd 2006

Janus House
Osney Mead
Oxford OX2 0ES
t: (0044) 01865 263800
f: (0044) 01865 793496

e: info@oxfordarch.co.uk
w: www.oxfordarch.co.uk

Oxford Archaeological Unit Limited is a Registered Charity No: 285627

**Sideway Farm,
Stoke-on-Trent, Staffordshire**

NGR SJ 879 429

ARCHAEOLOGICAL EXCAVATION REPORT

CONTENTS

Summary	2
1 Introduction and project background.....	2
1.2 Geology and topography	2
1.3 Archaeological and historical background	3
1.4 Acknowledgements	4
2 Project Aims and Methodology.....	4
2.1 Aims	4
2.2 Methodology	4
3 Results	5
3.1 Description of deposits (<i>Figs 2-5</i>).....	5
3.2 Description of structural elements.....	7
4 Finds summary	12
5 Discussion	12
6 Conclusion.....	14
7 Finds.....	14
7.1 Assessment of the Pottery.....	14
Appendix 1 Archaeological Context Inventory.....	18
Appendix 2 Bibliography and references.....	20
Appendix 3 Summary of Site Details.....	21

LIST OF TABLES

Table 1: Pottery Spot-Dates	18
-----------------------------------	----

LIST OF FIGURES

Fig. 1 Site location	
Fig. 2 Plan 3	
Fig. 3 Sections 3 and 5	
Fig. 4 Section 4	
Fig. 5 Plan 1	
Fig. 6 First and Second Edition Ordnance Survey maps of 1878 and 1900	
Fig. 7 Ordnance Survey maps of 1924 and 1937	

LIST OF PLATES

Plate 1: Farmhouse structure 27	
Plate 2: Farmhouse structure 21	
Plate 3: Structure 34	
Plate 4: Structure 54, surface 33	
Plate 5: Structures 28 and 29	
Plate 6: Structures 31 and 32	
Plate 7: Channel 50	
Plate 8: General view of site post-excavation	

Sideway Farm, Stoke-on-Trent, Staffordshire

NGR SJ 879 429

ARCHAEOLOGICAL EXCAVATION REPORT

SUMMARY

In July 2005, Oxford Archaeology (OA) carried out an archaeological excavation at Sideway Farm, Stoke on Trent, Staffordshire (NGR: SJ 879 429). Required as a condition of the planning permission for a proposed waste treatment facility, the work was commissioned by CgMs on behalf of Mouchel Parkman Limited to assess and characterise the buried remains of Sideway Farm and to investigate the potential for earlier remains which may predate the farm. The excavation revealed the foundations of the former farmhouse and buildings associated with Sideway Farm, and evidence of landscape features including two former hedge lines and the course of a channel.

1 INTRODUCTION AND PROJECT BACKGROUND

- 1.1.1 Between the 11th and 22nd of July 2005 Oxford Archaeology (OA) carried out an archaeological excavation at Sideway Farm, Stoke-on-Trent, Staffordshire (NGR: SJ 879 429).
- 1.1.2 The work was carried out on behalf of CgMs Consulting on behalf of Mouchel Parkman Limited in respect of the proposed development of a waste treatment facility.
- 1.1.3 OA prepared a Written Scheme of Investigation (OA 2005) detailing how it would undertake these works.

1.2 Geology and topography

- 1.2.1 The underlying geology comprises sandstone and marl bedrock, while naturally derived yellow sands and gravels overlie the bedrock.
- 1.2.2 The site is located 4.5 km to the south of Stoke-on-Trent in Staffordshire, on the western side of the Trent Valley. The eastern side of the site is low-lying at approximately 104 m OD, while the western side rises steeply towards Hanford at approximately 111 m OD. The northern boundary of the site is defined by a single track tarmac road that extends north-east towards the River Trent. The road follows the same alignment as a former 19th-century trackway that originally accessed the northern entrance to Sideway Farm. South of the site of the excavation was the site of a former tyre and mixed waste landfill dump, and further to the south, a former sewage treatment works. The majority of the site is covered with rough grassland.

1.3 Archaeological and historical background

- 1.3.1 The SMR records little in the way of prehistoric activity in the area. A broken piece of Late Bronze Age sword was discovered approximately 1 km to the south-west of the site (SMR 30109-SR29) and a possible Roman bracelet was also found approximately 1 km to the north-west of the site.
- 1.3.2 There is little evidence for Saxon and early medieval activity. Later medieval artefacts have been found in the immediate vicinity of the site. A medieval lead spindlewhorl and horse harness fragments were located approximately 1 km to the south-west of the site (SMR 30050 - SR23). Evidence for settlement patterns and remnants of the medieval landscape are represented by a medieval ditch and post-hole and 14th- and 15th-century pottery recovered from Hanford (SMR 30046 - SR22). Evidence for ridge and furrow are noted to the north-west of the site and a raised platform, possibly the site of a former medieval farmstead, has been identified 1 km to the south-west of the site, and was clearly defined on historic maps from 1838
- 1.3.3 The post-medieval agricultural landscape, with the exception of the site of the Sideway Farm, appears to have altered little, and many of the field boundaries represent an earlier medieval field system and alignments (CgMs 2004).
- 1.3.4 Sideway Farm is first shown on Yates Map of Staffordshire dated 1775 and is likely to correspond to the Sideway House recorded in the Victoria County History (VCH, 1963). The Trent and Mersey Canal and the London Midland and Scottish Railway are located to the east of the site boundary (CgMs 2004).
- 1.3.5 Sideway Farm was demolished to foundation level in about 2000 and the ground surface above was reinstated with redeposited topsoil. The area was also partially covered with limestone chippings as a hard-standing for plant machinery. Localised remnants of the rubble derived from the farm's demolition survive in places.
- 1.3.6 The site of the farm and its environs was subject to an archaeological evaluation in June 2005 (Milward and Goad 2005). Four of the 25 evaluation trenches were positioned over the former Sideway Farm complex. The main farmhouse was identified and several other farm buildings were uncovered but only tentative conclusions could be drawn about the development of the farm complex, given the small scale of archaeological investigation in the vicinity of the farm.
- 1.3.7 The southern and western limits of the OA excavation were governed by the location of a live main sewer service. The reinstatement of the ground levels, following the construction of the sewer, included the deposition of a considerable depth of reddish brown clayey silt natural Marl. The material had grey sandstone inclusions and was sterile. During the initial excavation by OA the redeposited material (cxt 2) was originally thought (during the evaluation) to represent the natural geology, but an exploratory sondage revealed that the layer actually sealed several brick building foundations and clinker metalled surfaces. The depth of the layer at its eastern extent

varied between 0.30 m and 0.50 m and increased to 1.40 m on the southern and western limits.

1.4 Acknowledgements

- 1.4.1 The author wishes to acknowledge the assistance of Dr David Barker FSA Senior Archaeologist of the Stoke-on-Trent Archaeology Service for his enthusiasm and knowledge of Sideway Farm and its environs and for his pursuit of historic photographs of the site.

2 PROJECT AIMS AND METHODOLOGY

2.1 Aims

- 2.1.1 To identify and record the extent, condition, quality and date of archaeological remains of the former Sideway Farm and to characterise the period and function of the individual farm complex buildings.
- 2.1.2 To identify and record the presence/absence, quality and date of any archaeological remains which survive below the Sideway Farm complex, including any earlier phases of the farm itself that were either not exposed or characterised during the first phase excavation.
- 2.1.3 To make available the results of the archaeological investigation.

2.2 Methodology

- 2.2.1 The area of the excavation was approximately 35 m x 45 m and was excavated in two phases. In the first phase, the modern overburden was removed using a 360°-tracked excavator under archaeological supervision. Additional exploratory trenches were excavated to assess the character and the depth of the surviving building foundations. The exploratory trenches were also used to assess the depth of a layer of colluvium (9) that sealed the natural geology across the excavation site, and to determine the presence/absence of surviving archaeological deposits or structures in advance of the second phase excavation.
- 2.2.2 A 10 m grid was established across the site to necessitate the planning of the farm complex, the co-ordinates of each of the grid pegs were recorded with an EDM (Electronic Distance Measurer) and the grid was related to the National Grid.
- 2.2.3 The buildings were planned at a scale of 1:50 and sample sections of the brick bonding patterns were represented on the plans to illustrate the varying construction methods. Sample sections of the buildings and their internal floor surfaces were drawn at scales of 1:10 and 1:20.
- 2.2.4 The buildings were assigned unique context numbers, and brick dimensions and identifying marks are included in the archaeological description. Brick samples were retrieved from each of the buildings.

- 2.2.5 The second phase excavation was carried out using a 360°-tracked excavator. The surviving remains of Sideway Farm were removed to uncover any potential earlier deposits or structures relating to the origin of the farm, or any further archaeological features and deposits which may predate the farm complex.
- 2.2.6 A 10m grid was re-established across the site, matching the positions of the first grid, to plan the exposed features located in the second phase excavation.
- 2.2.7 The buildings were removed in such a way that the construction elements could further be assessed and the constructional relationships between the buildings could be recorded and photographed during their removal.
- 2.2.8 An additional evaluation trench was excavated during the second phase excavation on the western edge of the complex, below structure 34, to characterise a north-south oriented channel that may have been associated with the farm.
- 2.2.9 The entire excavation was photographed using 200 ASA colour slide and 125 ASA black and white film. A general photographic record of the work was made throughout and the recording was carried out in accordance with the detailed procedures in the *OAU Fieldwork Manual* (ed. D Wilkinson, 1992).

3 RESULTS

3.1 Description of deposits (*Figs 2-5*)

- 3.1.1 The natural geology (10) was soft yellow silty sand with lenses of orange brown coarse sand and gravel. The natural at the eastern end of the site was substantially stained by diesel contaminates and was also disturbed by root action associated with a former orchard. Nevertheless, there is reasonable confidence that, despite the disturbance, no significant archaeological features were cut into the geology in this area.
- 3.1.2 The natural was overlain by a layer of friable, mid reddish brown clayey silt (9) which was deposited across the excavation area and had an average depth of 0.56 m. The material was mistakenly interpreted as the natural geology when revealed in the confines of the trenches of the previous archaeological assessment of Sideway Farm (Milward and Goad 2005). The present excavation enabled the deposit to be correctly interpreted as a layer of colluvium, formed from successive episodes of hillwash from the steep hill located to the west of the excavation area. No finds were recovered during the present excavation and an absolute date for the deposition has not been established, although it is clear that the material pre-dates the building of the Sideway House in the 18th century.
- 3.1.3 The colluvium layer (9) was cut by the foundations of the former Sideway House and all the foundations of the buildings associated with the development of Sideway Farm (Fig. 5). Four other identified features - pit 37, linear ditches 38/40 and 51, and channel 50 - were not obviously part of the surviving building range, but were also seen to cut the colluvial layer (Fig. 2).

- 3.1.4 Ditch 38/40, oriented W-E, was irregular and poorly defined with diffuse edges throughout (Fig. 2), and contained a single fill of friable mottled grey brown clay silt (39/41) with no inclusions (Fig. 3).
- 3.1.5 The linear feature correlates to the location and orientation of a former hedge line or field boundary identified on the First Edition OS map of 1878. It formed both the western and southern boundaries of a garden and/or orchard located on the southern and eastern side of the main farmhouse. The southern part of the feature was obscured in places by the remnants of a former garden or agricultural soil (23 - see Fig. 5). The layer was friable mid brown clay silt and contained occasional stones and charcoal flecking throughout. The material was seen to overlay the colluvium layer (9) and was preserved below, and in close proximity to the concrete structure 11. The layer is likely to be the remains of an agricultural or garden soil associated with the farmhouse orchard and/or garden.
- 3.1.6 The northernmost of the two parallel linear features (51) was irregular in plan and also had poorly defined edges (Fig. 5). It contained a single fill of friable brown clay silt (52). The feature is thought to be later disturbance relating to the reported location of several linear drainage ditches on the southern side of the farm that were constructed in the later 20th century. The location of the west end of the feature is directly beneath structure 17 (see below).
- 3.1.7 The most westerly of the three features, pit 37, was sub-circular in plan and measured 1.20 m in depth and at least 7.80 m in diameter (Fig. 2). The eastern and southern sides were well-defined and sloped gradually, with an uneven base. The primary fill (36) was a friable dark brown clay silt with clinker inclusions throughout. Several pieces of blue transfer-printed pottery, with a date range of between 1840 and 1860 were recovered, and part of a small wooden cartwheel axle was also retrieved. The upper fill (35) was a friable mottled dark brown clay silt, and contained occasional pieces of broken brick.
- 3.1.8 The feature possibly represents a former pond and is similar in size to a pond marked on the 1878 OS map, although it is situated some metres to the south. The period in which the feature was constructed could not be established, but it was partially infilled by the mid 19th century, given the date range of the recovered pottery from the primary fill. The upper limits of the pit were filled in a single event with a layer of mixed clinker and ash waste, similar to the farmyard surface 7 (see below). The ash and clinker were deposited to consolidate the area in advance of further development of the farm. The foundations of a western extension to the main farmhouse (structures 20 and 21) truncated the northern extent of the pond.
- 3.1.9 The second phase excavation partially revealed a backfilled channel (50). The channel (see Plate.7) was oriented NNW-SSE, and had a minimum width of 7.0 m and a minimum depth of 1.20 m, but only the eastern limits of the channel were exposed within the excavation area. That part of the channel profile excavated showed shallowly sloping sides (Fig. 4). There were four alluvial fills (46, 47, 48 and 49) of tenacious, mottled mid-dark greyish brown clay silts, with no visible inclusions

and no finds. The earliest of the fills (49) had a higher organic content than the later fills. The upper fill (46) was overlain by a sequence of clinker waste dumps (45, 44, and 43) containing moderate amounts of pottery, broken brick fragments and china. The china dates from between 1840 and 1900. As it seems likely that the clinker dumps were deposited in one episode, the material probably derived from a long-established waste dump of one of the potteries in the vicinity.

3.2 Description of structural elements

3.2.1 The structural elements of Sideway Farm were mainly exposed during the first phase of excavation. Although there were surviving physical relationships between the individual elements in each of the building ranges, most had been truncated during demolition in 2000. Cartographic sources have been used to clarify the archaeological findings.

Sideway House

3.2.2 The earliest of the structural remains discovered within the excavation were those of the former Sideway House, structure 27 (Pl. 1). The building footprint was rectangular in plan and measured 11.85 m in length and 6.25 m in width. The walls measured 0.35 m wide and were constructed of red brick (measuring 225 mm x 105 mm x 55 mm) and bonded with a soft, light grey lime mortar with lime and charcoal flecking. The bricks were laid in an English Bond pattern, having alternate courses of headers and stretchers, laid on a primary course of rowlock bricks (bricks laid on their longer edge). The walls are likely to have been built within a construction trench, cut into the colluvial layer 9, but no evidence for such a trench was noted.

3.2.3 An internal brick floor surface (26) was uncovered at the eastern end of the farmhouse and was constructed of frogged red bricks (measuring 230 mm x 110 mm x 80 mm) stamped with 'Stafford C&I co LTD' and 'Hewitt' brickworks (Plate 1). The bricks were constructed in a stretcher bond and laid on a thin foundation bed of yellow sand (25), over a make-up deposit of loose grey clinker and ash (24). The bricks within the surface have two distinct alignments, which could signify the former location of a contemporary stud wall. The surface is likely to be 19th-century in origin and was probably laid when the house was extended to the south and west. The brick type matches the bricks used in flooring in an extension on the southern side of the farmhouse, structure 17 (see below). No evidence for an original 18th-century floor survived; this (along with the low-lying nature of the site) may be an indicator that the building originally had a suspended wooden floor.

3.2.4 The western face of the farmhouse was abutted by structure 21, square in plan and measuring 4.5 m x 4.5 m (Pl. 2). The walls measured 0.35 m wide, similar to the original farmhouse walls, and were constructed of red brick, measuring 230 mm x 110 mm x 80 mm, and bonded with a compact light brown lime based mortar. The bricks were laid in an English Bond pattern and survived to a height of four courses. No internal walls or floor surfaces were discovered within footprint of the building

above the exposed colluvium layer 9. As with the original main building, it is possible that there was a suspended wooden floor.

- 3.2.5 The southern face of structure 21 was abutted by structure 20. Structure 20 was rectangular in plan and measured 4.5 m in length and 1.25 m in width. The walls measured 0.23 m wide and were constructed of un-frogged red brick (measuring 230 mm x 110 mm x 80 mm) bonded with a compact dark grey lime mortar with no inclusions. The two upper brick courses were exposed in the first phase excavation, with the remaining brick courses being exposed during the second phase excavation. The bricks were laid in a stretcher bonding pattern and survived to a height of seven courses in total, constructed on a 0.35 m deep concrete float foundation. The unusually deep foundations, in comparison to the other buildings, were necessary because the structure was built over the soft and waterlogged backfilled pit/pond 37. The structure is not present in the 1878 map, but is shown in the 1900 map (see Figure 6); this may suggest that it could have been built to support an internal staircase added to the original building extension.

Later modifications

- 3.2.6 The western part of the original farmhouse (27) contained a concrete block structure (19), rectangular in plan and measuring 6.0 m in length and 3.2 m in width. The walls were constructed of single thickness 'double-corner' concrete masonry blocks measuring 440 mm x 220 mm x 215 mm, and bonded with a grey concrete based mortar. The blocks were rendered on the internal face with a concrete render and the structure contained an internal floated concrete floor. The surface of the floor was ribbed to form narrow channels, and the surface was slightly sloped to aid the flow of liquid towards a centrally positioned W-E drainage channel. The drain cover was plastic and fed to a modern 100 mm diameter plastic drainage pipe to the south-west of the building. The structure was built within the former farmhouse in the later 20th century, and was evidently not intended for domestic use. It is likely to have been used as a cattle byre or milking parlour.
- 3.2.7 The construction of structure 19 removed any trace of original internal walls in structure 27, although the western edge of the brick floor 26 may denote where one N-S partition ran. Otherwise internal walls would most likely have been of stud-and-plaster construction, leaving no archaeological trace when removed.
- 3.2.8 The external south-eastern face of the farmhouse was abutted by an additional building, structure 17, rectangular in plan and measuring 5.5 m in length and 3.0 m in width. The walls measured 0.23 m wide and were constructed of red brick measuring 230 mm x 110 mm x 80 mm, and bonded with a compact light brown lime-based mortar with lime fleck inclusions. The walls survived to a depth of two courses at the western end of the building, but were substantially truncated on the southern and eastern limits. The remnants of a contemporary internal red brick surface remained close to the south-west corner of the structure. The bricks measured 230 mm x 110 mm x 80 mm, were randomly laid and variously stamped with 'PB co LTD' and 'Hewitt'. The function of the building was not obvious but it could be a scullery to

the rear of the farmhouse. The extension was recorded on the 1878 OS Map and remained unaltered on later OS maps (see Figs 6 and 7). According to cartographic sources the eastern face of the structure was augmented by a rectangular structure built between 1950 and 1970. The only structure identified near the eastern side of building 17 during the excavation was concrete structure 11. Structure 11 was rectangular in plan, measuring 4.10 m in length and 1.40 m in width, and consisted of three differing levels of poured concrete. The structure was drained at the western end by a plastic 100 mm diameter waste pipe. No associated walls or superstructure were uncovered, although the overall layout of the structure suggests that it may have had a function similar to structure 19.

The western building range

- 3.2.9 The rectangular brick building, located to the west of the farmhouse structure consists of three phases, structures 34, 53 and 54 (Pl. 3).
- 3.2.10 The earliest of the buildings was the most southerly of the three, structure 54. The building had a minimum length of 6.40 m and a width of 6.40 m. The southern and western extents of the building were badly truncated by a modern sewer trench. Two walls of the structure were exposed, surviving to a depth of four courses. The northern part of eastern wall measured 0.34 m in width, while the southern was a single brick wide (0.23 m). The northern wall was also 0.23 m wide. The walls were constructed of red brick (measuring 230 mm x 110 mm x 80 mm), laid in an English Bond pattern, and bonded with a compact dark grey lime mortar with charcoal inclusions.
- 3.2.11 The building contained an internal surface of hand-made red bricks (average size 225 mm x 105 mm x 70 mm) which were laid in a stretcher bond pattern (Pl. 4). There was no evidence for any bonding material between the bricks and although an original bond may have been eroded away by the high water table noted in the vicinity of this structure. The building was recorded on the 1878 OS Map and remained unaltered in plan on later OS maps (see Figures 6 and 7).
- 3.2.12 Structure 34 abutted the northern face of structure 54 and measured 8.90 m in length and 6.40 m in width. It was built of engineering quality red brick (measuring 230 mm x 110 mm x 80 mm) laid in an English Bond pattern and bonded with a compact dark grey lime mortar, similar to the bonding material in building 54. Up to four courses of brickwork survived. The building contained a small area of internal surface (18) consisting of red bricks with the same dimensions as those in the walls. A linear area of concrete within the flooring incorporated the remains of a later drain insertion. The majority of the floor was probably removed by the building demolition in 2000.
- 3.2.13 The brick surface was constructed on a layer of loose mid grey clinker and ash make-up (42). Deposit 42 was used as a make-up layer for the brick surface, but was probably part of an earlier sequence of imported clinker and hardcore layers which infilled channel 50 (see above). The building was not recorded on the 1878 OS Map, but was shown on the Second Edition 1900 OS Map (Fig.6), and was therefore

constructed in the intervening period. The building remained unaltered in plan on later OS maps.

- 3.2.14 A N-S oriented grey concrete path leading from the northern wall face probably indicates the position of the former entrance to the building, and a contemporary concrete surface, with a secondary inserted central drain, is located alongside the eastern side of the building. A 20th-century red brick inspection chamber, located by the north-west corner of the building, is contemporary with the later drainage system.
- 3.2.15 Extending from the north-west corner of structure 34 was wall 53. This was constructed of blue engineering bull-nose bricks of two different sizes (measuring 420 mm x 150 mm x 140 mm and 300 mm x 150 mm x 140 mm). The bricks were weakly bonded with a loose black mortar. Cartographic sources record a square building located on the northern edge of structure 34, constructed in the intervening years between the 1900 and 1924. Wall 53 may represent the remains of that building, but it is perhaps more likely that it is part of the outer farmyard wall depicted on the 1878 and 1900 OS maps.

The eastern building range

- 3.2.16 The range was recorded as structures 28, 29, 31 and 32, and appear to be contemporary in construction.
- 3.2.17 The exposed part of range (structures 31 and 32) measured a minimum of 10.60 m in length and 5.10 m wide. The structure abutted the northern face of the farmhouse (27), and was constructed of red bricks measuring 230 mm x 110 mm x 70 mm, laid in an English Bond pattern over a foundation of a single course of rowlock bricks, and bonded with a pinkish brown lime mortar containing 10% lime flecking and small stone fragments. Up to three courses of brickwork survived (Pl. 6). No remains of internal floor surfaces survived the truncation of the farm's demolition in 2000.
- 3.2.18 Two small brick-built inspection chambers were noted on the western side of the building, associated with two phases of 19th- and 20th-century drainage. The southern part of the range, structure 32, was served by a modern electrical service trench. Two parallel walls, located near the linear service trench, could represent a possible eastern entrance to the building.
- 3.2.19 The structures are part of the larger 'L'-shaped building shown on the 1878 OS Map. The lack of any internal floor surfaces, fixtures or fittings, means that the function of the separate elements of the range is not obvious, although as a whole the range was probably a service range for the main farmhouse.
- 3.2.20 Structure 29, located on the western side of building 31/32, measured 5.85 in length and 2.65 in width and survived to four courses in depth (Pl. 5). The building was constructed of predominantly red brick (measuring 230 mm x 110 mm x 70 mm) with the occasional a blue engineering blue brick (measuring 240 mm x 115 mm x 70 mm) included. The bricks were laid in an English Bond pattern, and bonded with a compact pinkish brown lime mortar with 10% lime flecking and small stone

fragments. There was no evidence for an internal floor within the footprint and the function of the building remains unclear.

- 3.2.21 Structure 29 was contemporary with building 31/32 and was constructed of the same bricks and used similar mortar types. Two small brick built inspection chambers were noted on the south-western and north-western edge of the building and are associated with two phases of 19th and 20th century waste water drainage. The latter truncated the southern part of the structure 29. The building was recorded on the 1878 OS Map and remained unaltered on later OS maps (see Figs 6 and 7).
- 3.2.22 Structure 28, a well, was located to the north of structure 29. The structure had been demolished to ground level and the well capping consisted of two half segments of 25 mm thick wrought iron plate. The well measured 1.85 m in diameter and contained water at a depth of approximately 2.20 m below ground level. The well could not be closely examined, but there is no reason why it could not originally date to the 18th century, and be contemporary with Sideway House.

The 19th century farmyard surfaces

- 3.2.23 Remains of various farmyard surfaces were exposed throughout the excavation area, the earliest represented by surfaces 8 and 25, laid directly over colluvial layer 9.
- 3.2.24 Surface 8 was located on the western and northern sides of the farmhouse. The surface consisted of compact metalled surface, and areas of crushed brick and tile and broken and whole 6-inch square tiles. The surface was contemporary with surface 25, which contained crushed kiln furniture, (see Cotter below), fragments of willow pattern china and pottery wasters. Both the surfaces represent material imported from the potteries to be used as consolidation deposits for the 19th-century farmyard surfaces. The date range for the material used in surface 25 was between 1830 and 1860 and is likely to represent one of the primary farmyard surfaces.
- 3.2.25 The later surface 7 overlay the colluvial layer 8, and was subsequently buried by up to 1.30 m of re-deposited natural Marl associated with the backfilling (2) of the sewer trench. Layer 7 consisted of loose and compacted mid-dark brown clinker and ash and contained broken brick and sandstone rubble throughout. Despite the modern truncation the deposit had localised areas of good preservation, particularly to the south of the farmhouse. The surface was assigned individual contexts (13 and 15), to better distinguish its constituent parts.
- 3.2.26 Surface 13 consisted of an area of randomly placed bricks with no surviving bonding material. Two different types of bricks were used, frogged red brick (measuring 230 mm x 110 mm x 75 mm) and were stamped with 'C&I Co LTD' and a frogged red brick (measuring 230 mm x 110 mm x 80 mm) stamped with 'Hewitt'.
- 3.2.27 Surface 15 consisted of an area of randomly placed red bricks with no surviving bonding material, and included both the brick types noted within surface 13. The surface also included roughly squared granite blocks and the blue, engineering quality, bull-nosed bricks similar to those recorded within structure 53. It is possible

that the bull-nosed bricks were the remains of the farmyard external wall noted on the succession of OS Maps of the farm complex (see context 53, above).

- 3.2.28 Surface 7, including its constituent parts, is likely to have been constructed in the 19th century, as the bricks used in the surfaces are similar to those used in the secondary flooring within structures 17 and 27.
- 3.2.29 All the surfaces were later consolidated with patches of both grey and pink concrete (6), deposited in the mid 20th century, and again with re-constituted asphalt surfaces in the later 20th century.
- 3.2.30 The surfaces were overlain by a thin layer of demolition rubble (5) derived from the demolition of the Sideway Farm complex in 2000. A re-deposited topsoil layer (1), and in places the asphalt hard-standing which was used by the demolition machinery (4), overlay the rubble.

4 FINDS SUMMARY

- 4.1.1 The finds assemblage comprised almost exclusively 19th- and 20th- century pottery and china, and 18th- to 20th-century CBM fragments (see Section 7).

5 DISCUSSION

- 5.1.1 Despite the limited remains of the building foundations, and the modern disturbance to them, a number of tentative conclusions can be drawn regarding the characterisation of the structures and deposits observed during the excavation. These inferences can be enhanced when considered in relation to the map evidence.
- 5.1.2 The farmhouse (structure 27) is located within the central part of the farm complex and was the earliest of the buildings present. The building footprint was rectangular in plan and the walls were constructed of red brick and were laid in an English Bond pattern. Six courses of brickwork survive from the foundation levels, and examples of the bricks recovered from the building during the June 2005 evaluation have been dated between 1740 and 1780 (Milward and Goad 2005). It is likely that the building had two storeys, although the walls could be argued to be too insubstantial to support two brick-built storeys. This may therefore indicate that the foundations supported plinth walls that carried a timber-framed superstructure.
- 5.1.3 None of the internal walls of the building survived in-situ and there was no evidence for any original 18th-century floor level. There may have been suspended timber flooring in the building although it should be noted that there was no evidence for any joist recesses in the surviving walls. The structure probably represents the remains of the Sideway House and was incorporated into the farm complex and remained as the primary domestic residence until the mid-20th century. A 19th-century brick floor was laid at the eastern end of the building; otherwise no internal details survived. The insertion of the concrete structure (19) in the 20th century clearly represents a fundamental change in use of at least the western part of the building, and the apparent end of its domestic role.

- 5.1.4 The western end of the farmhouse, structure 21, appears to have a very similar build to structure 27, and is also likely to have been two storeys in height, at least once the possible staircase (structure 20) was constructed. Structure 21 was probably originally built to provide additional domestic accommodation to the main house of farmhouse. It was connected to waste water services and to a water supply in the 20th century and may have been used for domestic accommodation after the function of structure 27 changed.
- 5.1.5 A feature extant in the early life of the farm is the water channel (50), partially revealed at the western side of the site. Its line appears to be echoed by a later boundary bordered by a line of trees, depicted on the 1878 map (Fig. 6). It is suggested that the channel represents a landscape feature associated with the original Sideway House, perhaps originally bordered by trees. With the establishment of the farm the channel was allowed to silt up, until the end of the 19th century, when it was backfilled and consolidated with pottery waste and clinker as a preparation for the expansion of the farm and the construction of the western range.
- 5.1.6 Another water feature - the pond (represented by pit 37) - was infilled during the farmhouse's extension, in the mid 19th century, as suggested by its absence from the 1878 map. The western range of buildings (structures 34, 53 and 54) is likely to have had a utilitarian role, perhaps for storage of farm machinery. The range's use may well have varied throughout its development.
- 5.1.7 The eastern range, (structures 28, 29, 31 and 32) is part of the larger 'L'-shaped building shown on the 1878 OS Map. The lack of any internal floor surfaces, fixtures or fittings, means that the function of the separate elements of the range is not obvious, although as a whole it probably represents a service range for the main farmhouse.

6 CONCLUSION

- 6.1.1 The archaeological investigation has broadly confirmed the chronology and character of the site indicated by the desk-top study (CgMs, 2004), and the evaluation (Milward and Goad, 2005) namely that Sideway House appears to have been built on a hitherto undeveloped site. The possible landscaped channel suggests that it may originally have been more of a country residence (hence the name) than a farm, but by the mid-19th century it had developed into a working farm complex, and several farm outbuildings had already been constructed by the time the farm was recorded on the First Edition Ordnance Survey map of 1878. It is likely that the layout of the main farm buildings were substantially complete by this time.
- 6.1.2 Access to the house, would have been from the north-east, with the later farm buildings arranged around three sides of a courtyard.
- 6.1.3 The evidence suggests (but cannot confirm) that the main house was of two-storeys with timber-framing on plinth walls. It is likely that the floors in the main house and its western annex were suspended.

- 6.1.4 At some point in the mid- or late 20th century the original farmhouse building was altered by the insertion of a drained concrete platform, indicating a functional change (possibly into a milking parlour or cattle shed). Domestic occupation may have continued in the western annexe.

7 FINDS

7.1 Assessment of the Pottery

by John Cotter

Introduction and Methodology

- 7.1.1 The assemblage comprises a total of 215 sherds of pottery weighing 3132g. Although this total includes a small piece of glazed wall tile and several pieces of ceramic kiln-furniture.
- 7.1.2 For each context the total pottery sherd count and weight were recorded on an Excel spreadsheet, followed by the context spot-date which is the date-bracket during which the latest pottery types in the context are estimated to have been produced or were in general circulation.
- 7.1.3 Comments on the presence of datable types were also recorded, usually with mention of vessel form (jugs, bowls etc.) and any other attributes worthy of note (eg. decoration etc.).

Date and Nature of the Assemblage

- 7.1.4 The assemblage appears to be almost entirely of 19th-century date with a very small number of pieces dating as late as the 1950s or '60s. It comprises two main elements - pottery and, somewhat surprisingly, pottery kiln-furniture.
- 7.1.5 The pottery assemblage consists almost entirely of Staffordshire-type refined earthenwares which, in this instance, were almost certainly locally produced at nearby Stoke-on-Trent. These include a small amount of plain Creamware and Pearlware - the latter including blue transfer-printed vessels and one or two hand-painted vessels. Potentially these wares could date as early as the late 18th century but the character of the decoration suggests they are more likely to date to the early 19th century.
- 7.1.6 A single piece of Nottingham stoneware is of similar date. Yellowware jugs with bands of polychrome (mostly blue and brown) slip decoration, also fall within a late 18th-century to 19th-century date range but probably date here to the 19th-century. A small quantity of English porcelain and grey stoneware date to the 19th-century. The predominant ware is the ubiquitous refined white earthenware characteristic of the Victorian period - plates, dishes, teacups, and jugs. Many of these have typical blue transfer-printed designs including Chinese-style 'willow pattern' and classical landscape scenes. Black and blue designs also occur.
- 7.1.7 More unusual forms include a large inverted lid-like object, which may be a cake or food display stand. Some of the dishes have fragmentary stamped or printed makers'

marks on the underside or traces of the design name or registration number. Part of a diamond-shaped registration mark dates one vessel within the period 1842-1883. A fragmentary 'Wedgwood & Co.' stamp dates another to c. 1860-1900 while another piece with the start of a design registration number beginning with a '36' should date the piece within 1885 and 1886 (Godden 1983, 110-11). Two small fragments from a cup or mug and a saucer have polychrome designs and glazes, which almost certainly date them to the 1950s or '60s. Evidence of wear and staining on some vessels show they had been used as ordinary domestic crockery.

- 7.1.8 Unusually the pottery assemblage also comprises a fair number of definite kiln wasters. These include biscuit-fired but unglazed white earthenwares and porcelain (sometimes heat discoloured), an unglazed banded Yellowware jug sherd, and one or two sherds of transfer-printed vessels which had never been glazed.
- 7.1.9 Equally surprising - though perhaps less so given the proximity of Stoke-on-Trent - is the presence of a reasonable quantity of 19th-century pottery kiln furniture for stacking and separating glazed vessels in the kiln. These include very small pipeclay cockspurs and many more fragments of larger three-armed or Y-shaped pipeclay stilts.
- 7.1.10 A small pipeclay (or porcelain) lid-like object may also be an item of kiln-furniture - this has a broken spike in the centre of its domed surface and the unidentified mark 'C.F.14' in relief. The final class of kiln-furniture consists of fragments of rods with a flattened section, and probable trivets in coarse yellow fireclay or saggard clay. These may have been intended to separate heavier vessels or perhaps stacks of fireclay saggars (containing the more delicate wares) in the kiln.
- 7.1.11 The pottery assemblage therefore comprises both a domestic utilitarian element typical of most 19th-century habitation sites and an industrial, pottery-production, element that requires some explanation. If a pottery manufactory had existed on or very near this site in the 19th century it would almost certainly have been documented somewhere and realised even before the current excavations.
- 7.1.12 As this does not appear to be the case the most likely explanation is that the pottery wasters and kiln-furniture were brought to the site from elsewhere - perhaps for use as hardcore.
- 7.1.13 Given the proximity of the Stoke-on-Trent potteries one need hardly look further for the source the industrial waste present on the site. The huge waster heaps (Shordrucks) around the potteries were commonly used as a source for hardcore during the 18th and 19th-centuries.

Table 1: Pottery spot-dates

Context	Spot-date	Sherds	Weight	Comments
---------	-----------	--------	--------	----------

6	c1950-1970?	15	122	LPM14 - Staffs-type white earthenwares incl 2 v modern-looking pieces w '50s-60s designs/glaze. But also 19th-century wares incl. blue transfer-printed Pearlware teacups c1830-40? Pottery wasters incl polychrome LPM14, banded yellowware & biscuit-fired unglazed porcelain. Kiln-furniture incl pipeclay trivet, pipeclay/porcelain lid-like ?prop with moulded lettering 'GF. 14'. 1x flattened rod of fireclay or saggar clay
25	c1830-1860?	55	166	20x potsherds incl wasters Staffs white LPM14, Creamware LPM11, Pearlware LPM12, scrap poly painted Pearlware & scrap green-glazed Creamware/majolica. Wasters incl unglazed blue transfer-printed. Mostly kiln-furniture incl 4 v small pipeclay 'cockspur' trivets, larger Creamware glazed trivets with triangular & lozenge sections - some with cutaway scoops or rests for plate rims. 6 fireclay pieces incl rods and flattened rods - some prob trivets, 1 curved
36	c1840-1900?	4	62	Pot c1840-60s incl blue transfer-printed LPM14 large sub-rectang carving plate. Also 1x frag plain glazed white 'bathroom' tile - possibly as late as c1900?
42	c1860-1900	58	1320	Mostly domestic pottery LPM14 incl prob '[WE]DGWOOD & CO' stamp (c1860-1900) mostly blue transfer, yellowware, some ?English porcelain, bone china, ?Creamware jug bs with joggled slip. 3x mod English stoneware flagon & ink bottle sherds Bristol glazed. 1x definite waster -?LPM14 unglazed undec dome-shaped socketed ?jar lid
44	c1884-1900	20	798	Domestic pottery, some obviously used/worn. LPM14 incl large lid-like ?cake/food stand. Blue 'willow' pattern. 1x black transfer-printed pot-lid (for preserves etc) with vestige of word ?condiment & cherub displaying list of prices '53/ Oxford St London. In pots at' etc etc. 1x scrap with start of design registration number 'No. 36----' Poss between 1885 and 1886? (registration Nos. introduced 1884)
45	c1840-1880?	63	664	Domestic pottery and wasters etc. LPM14 blue, black & brown transfer-printed designs incl 'willow'. Frag diamond registration mark - illeg (within 1842-1883). Also 1x late Nottingham stoneware with complex rouletting. Around 14 LPM14 wasters - mostly unglazed incl painted blue bands. 6x kiln- furniture incl 2 cockspur trivets, larger trivets & fireclay rod frag. Few Pearlware incl blue-edged E19th-century
TOTAL		215	3132	

APPENDICES

APPENDIX 1 ARCHAEOLOGICAL CONTEXT INVENTORY

<i>Cxt</i>	<i>Type</i>	<i>Width (m)</i>	<i>Depth (m)</i>	<i>Comment</i>	<i>Finds (non CBM)</i>	<i>No./wt</i>	<i>Date</i>
1	Deposit	Trench	0.26 m	Re-deposited topsoil			20th century
2	Fill	3.89 m	1.38 m	Backfill of 3			20th century
3	Cut	3.89 m	1.38 m	Modern sewer cut			20th century
4	Deposit	4.80 m	0.16 m	Asphalt hard-standing			20th century
5	Deposit	Trench	0.30 m	Demolition rubble			19th century
6	Deposit	Trench	0.22 m	Concrete and asphalt surface	Pottery	15/ 122	19th century
7	Deposit	Trench	0.24 m	Clinker farmyard surface			19th century
8	Deposit	10.0 m	0.24 m	Localised Brick and tile surface			19th century
9	Deposit	Trench	0.56 m	Colluvium			Medieval?
10	Deposit	Trench	0.34 m	Natural sand and gravel			
11	Struct	4.10 m	1.40 m	Concrete floor of structure			20th century
12	Struct	0.34 m	0.25 m	Farmyard brick wall			20th century
13	Surface	2.0 m	0.23 m	Localised Brick surface			19th century
14	Surface	1.50 m	0.23 m	Brick surface			19th century
15	Surface	3.0 m	0.25 m	Localised granite block and brick surface			19th century
16	Surface	1.20 m	0.28 m	Floor surface of structure 17			19th Century
17	Struct	5.50 m	2.90 m	Southern addition to main house			19th century
18	Surface	1.30 m	0.26 m	Brick floor surface			19th century

<i>Cxt</i>	<i>Type</i>	<i>Width (m)</i>	<i>Depth (m)</i>	<i>Comment</i>	<i>Finds (non CBM)</i>	<i>No./wt</i>	<i>Date</i>
19	Struct	6.0 m	3.20 m	Drained concrete structure			20th century
20	Struct	2.0 m	1.0 m	Porch on western side of farmhouse			20th century
21	Struct	5.15 m	4.20 m	Western annexe			19th century
22	Surface	8.50 m	1.90 m	Concrete surface			20th century
23	Deposit	8.60 m	0.36 m	Cultivation soil			18th/19th century
24	Deposit	5.50 m	0.24 m	Clinker bedding for brick surface 26			19th century
25	Surface	3.60 m	0.18 m	Waste kiln furniture and tile surface	Pottery	55/ 166	19th century
26	Surface	5.50 m	0.23 m	Brick surface in farmhouse			19th/20th century
27	Struct	11.85 m	6.25 m	Primary farmhouse structure			18th century
28	Struct	1.80 m dia.	0.22 m	Circular well			19th century
29	Struct	5.85 m	2.65 m	Brick building by well			19th century
30	Struct	1.40 m	1.20 m	Brick inspection chamber			20th century
31	Struct	10.60 m	5.10 m	Brick barn structure			19th century
32	Struct	10.60 m	5.10 m	Brick barn structure			19th century
33	Surface	1.90 m	0.23 m	Brick surface in building 23			19th century
34	Struct	8.90 m	6.40 m	Square brick building			19th century
35	Fill	2.70 m	0.24 m	Fill of pit 37			18th/19th century
36	Fill	7.20 m	0.45 m	Fill of pit 37	Pottery	4/52	18th/19th century
37	Cut	7.80 m	1.20 m	Pit (pond?)			18th/19th century
38	Cut	0.90 m	0.26 m	Ditch/ Hedgeline			18th/19th century

<i>Cxt</i>	<i>Type</i>	<i>Width (m)</i>	<i>Depth (m)</i>	<i>Comment</i>	<i>Finds (non CBM)</i>	<i>No./wt</i>	<i>Date</i>
39	Fill	0.90 m	0.26 m	Fill of 38			18th/19th century
40	Cut	0.87 m	0.34 m	Ditch/ Hedgeline			18th/19th century
41	Fill	0.87 m	0.34 m	Fill of 40			18th/19th century
42	Deposit	7.00 m	0.18 m	Clinker waste make-up layer?	Pottery	58/ 1320	19 th century
43	Deposit	7.00 m	0.22 m	Clinker waste layer			19 th century
44	Deposit	7.00 m	0.32 m	Clinker waste layer	Pottery	20/ 798	19 th century
45	Deposit	4.10 m	0.25 m	Clinker waste layer	Pottery	63/ 664	19 th century
46	Fill	5.10 m	0.40 m	Fill of channel 40			18th/19th century?
47	Fill	4.0 m	0.45 m	Fill of channel 40			18th/19th century?
48	Fill	6.60 m	0.50 m	Fill of channel 40			18th/19th century?
49	Fill	4.50 m	0.43 m	Fill of channel 40			18th/19th century?
50	Cut	7.0 m	1.20 m	Palaeo-channel			18th/19th century?
51	Cut	1.33 m	0.22 m	Disturbance			18th/19th century
52	Fill	1.33 m	0.22 m	Fill of 51			18th/19th century
53	Struct	060 m	3.30 m	Northern addition to building 34			19th century
54	Struct	6.0 m	6.40 m	possible barn			19th century

APPENDIX 2 BIBLIOGRAPHY AND REFERENCES

Milward, J and Goad, J, 2005 *Archaeological Evaluation at Sideway, Stoke-On-Trent, Staffordshire, Historic Environment and Archaeology Service, Worcestershire County Council*

CgMs 2004 *Archaeological desk-based assessment of Sideway, Stoke-On-Trent*

Godden, G. A. 1983, *The Handbook of British Pottery and Porcelain Marks*

IFA 1992 *Standard and Guidance for Archaeological Watching Briefs*

OA 1992 *Fieldwork Manual (1st edition ed. Wilkinson D)*

OA 2005 *Sideway Farm, Stoke-On-Trent, Staffordshire - Written Scheme of Investigation*

VCH (1963) *the Victoria History of the County of Staffordshire*, Vol 8 Oxford University Press

MAP RESOURCES

Yates 1775

Ordnance Survey First Edition Six Inch map of 1878

Ordnance Survey Second Edition map of 1900

Ordnance Survey map of 1924

Ordnance Survey map of 1937

Ordnance Survey map of 1950

Ordnance Survey map of 1970

APPENDIX 3 SUMMARY OF SITE DETAILS

Site name: Sideway Farm, Stoke-On-Trent, Staffordshire

Site code: SOTSF 05

Grid reference: NGR: SJ 879 429

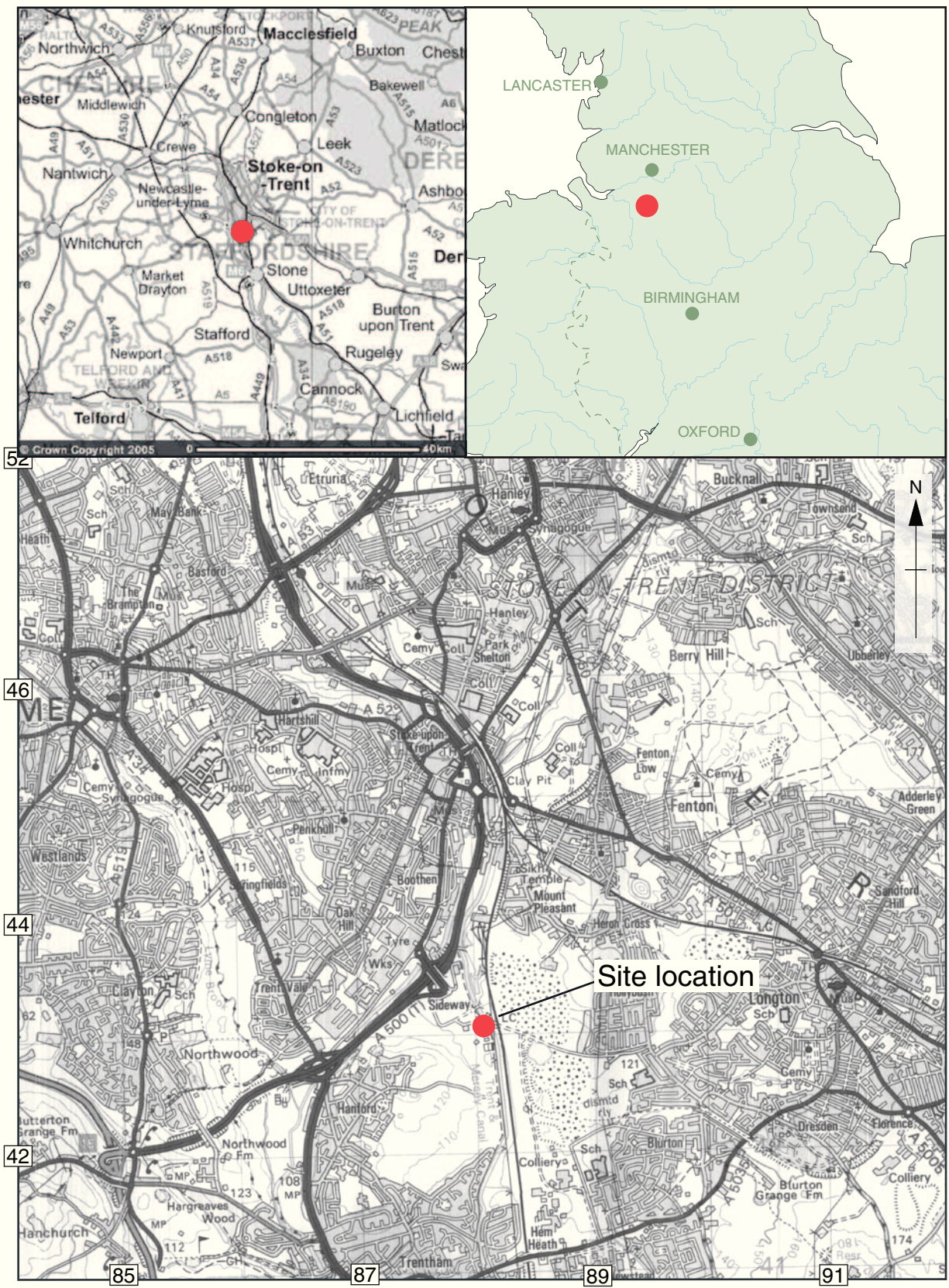
Type of excavation: two phased Area excavation

Date and duration of project: 11th to the 22nd of July 2005, 10 days

Area of site: 30 m x 40 m

Summary of results: Foundations of the farmhouse built before 1775 (former Sideway House) and associated 19th and 20th century farm buildings were uncovered. A post-medieval channel was also discovered.

Location of archive: The archive is currently held at OA, Janus House, Osney Mead, Oxford, OX2 0ES, and will be deposited with an appropriate Museum Service in due course.



Reproduced from the Landranger 1:50,000 scale by permission of the Ordnance Survey on behalf of The Controller of Her Majesty's Stationery Office © Crown Copyright 1993. All rights reserved. Licence No. AL 100005569

Figure 1: Site location

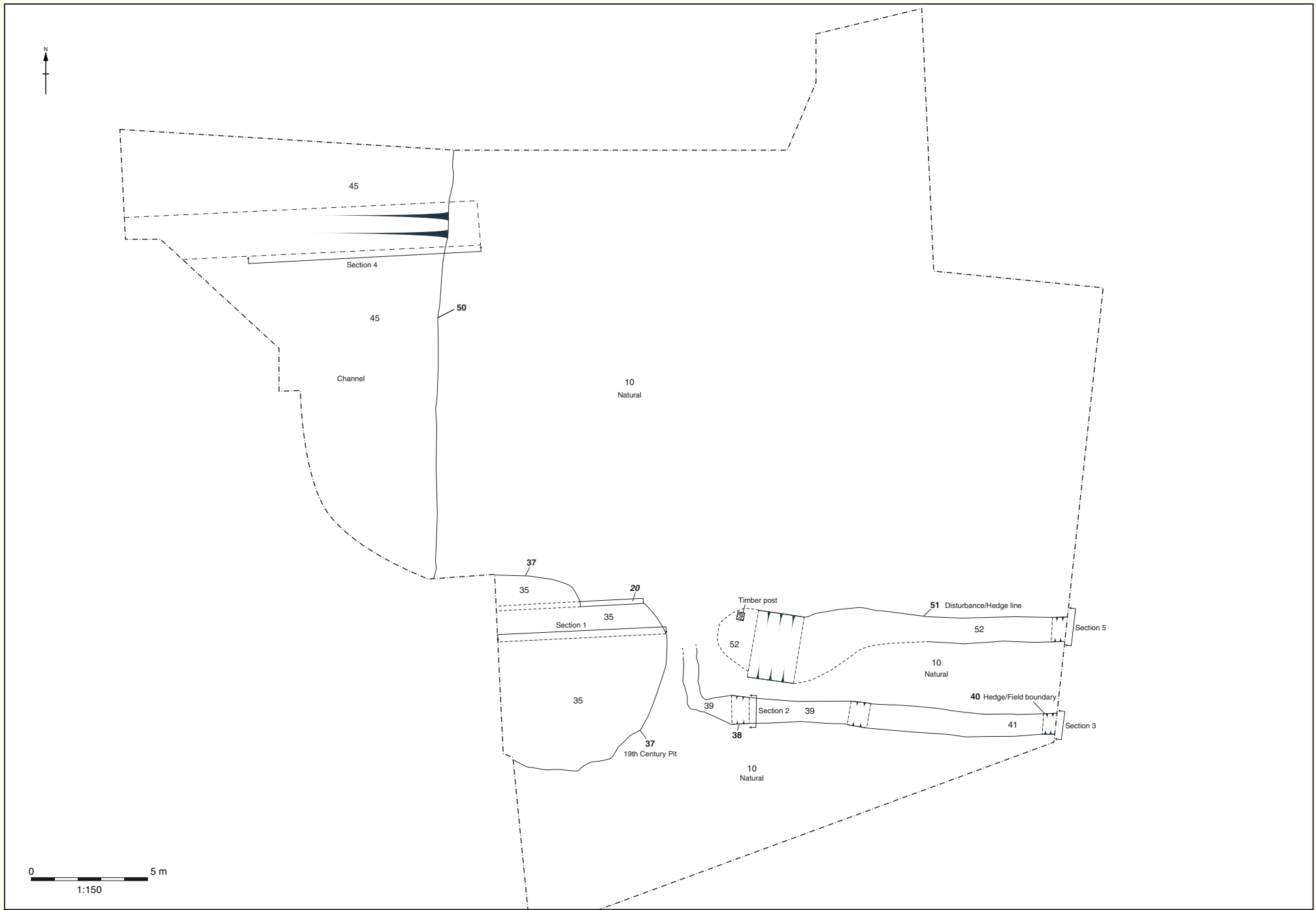
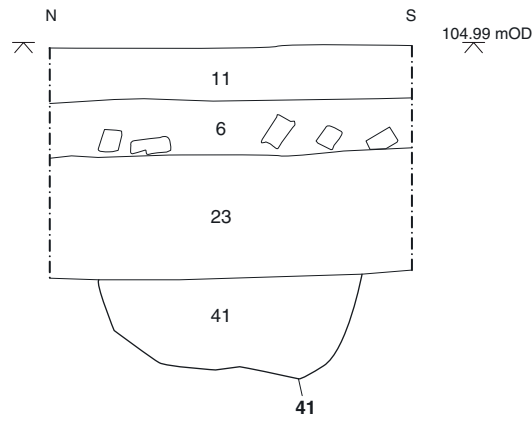


Figure 2 : Plan 3

Section 3



Section 5

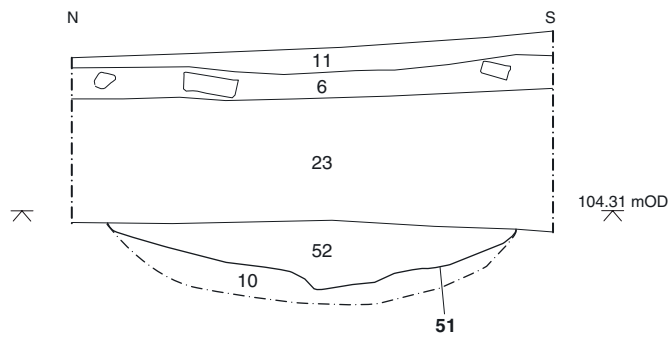


Figure 3: Sections 3 and 5

Section 4

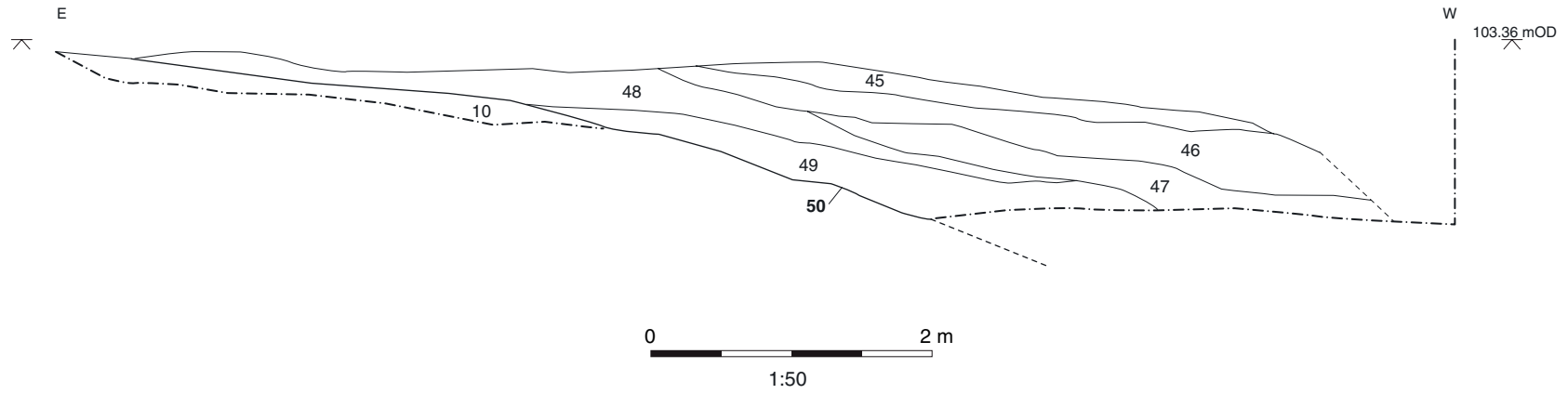
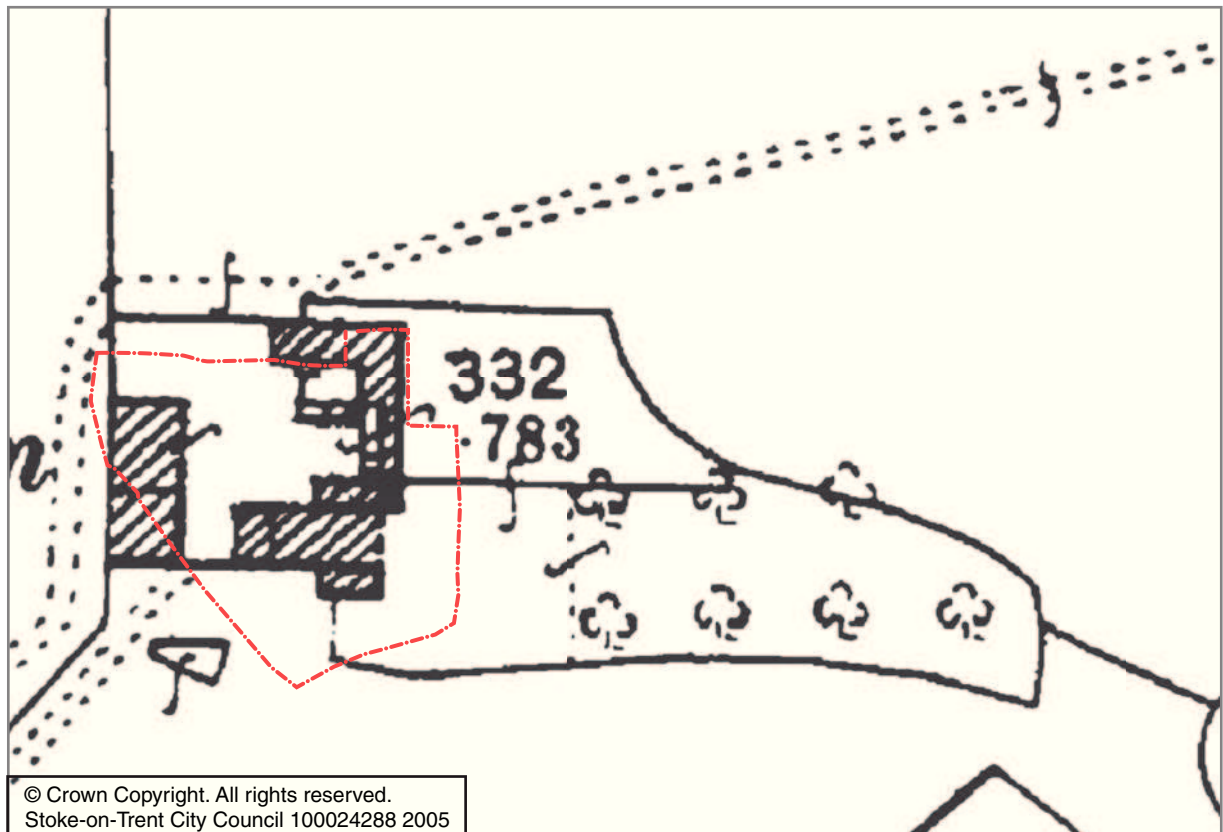
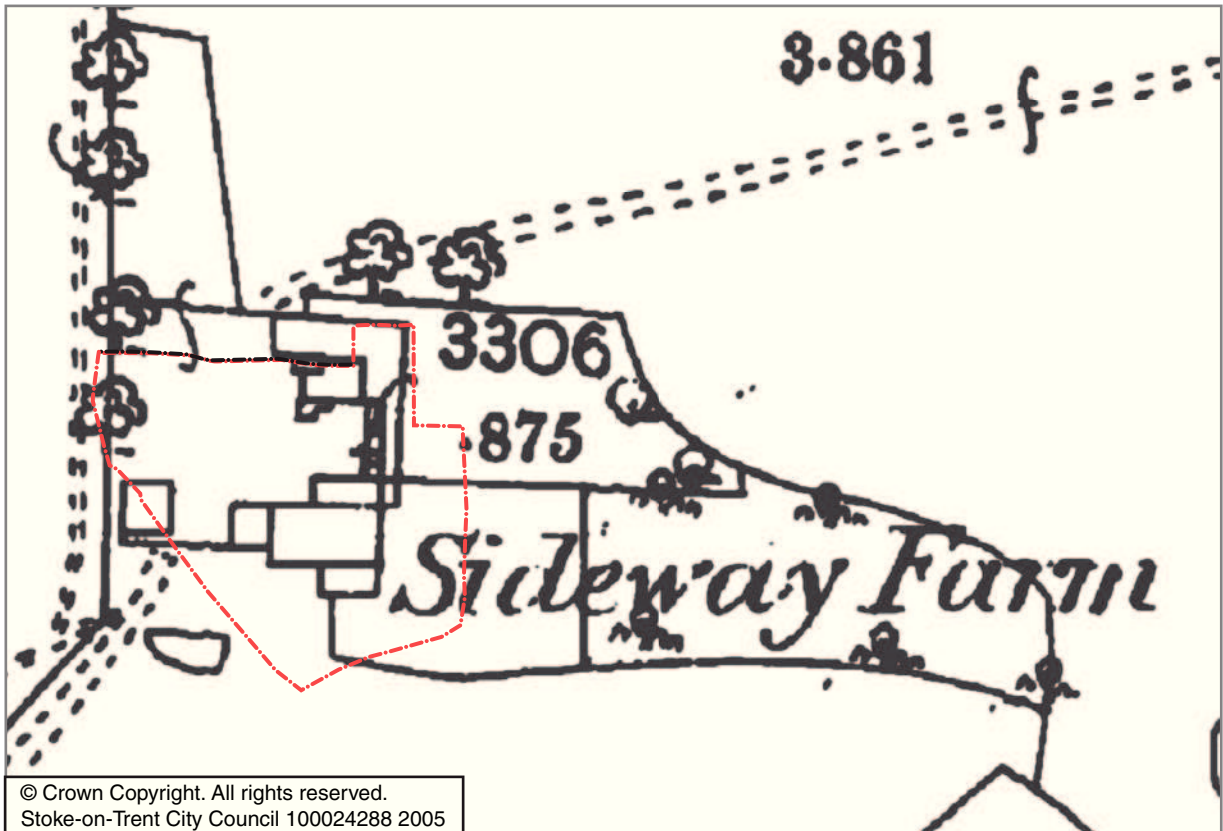


Figure 4: Section 4

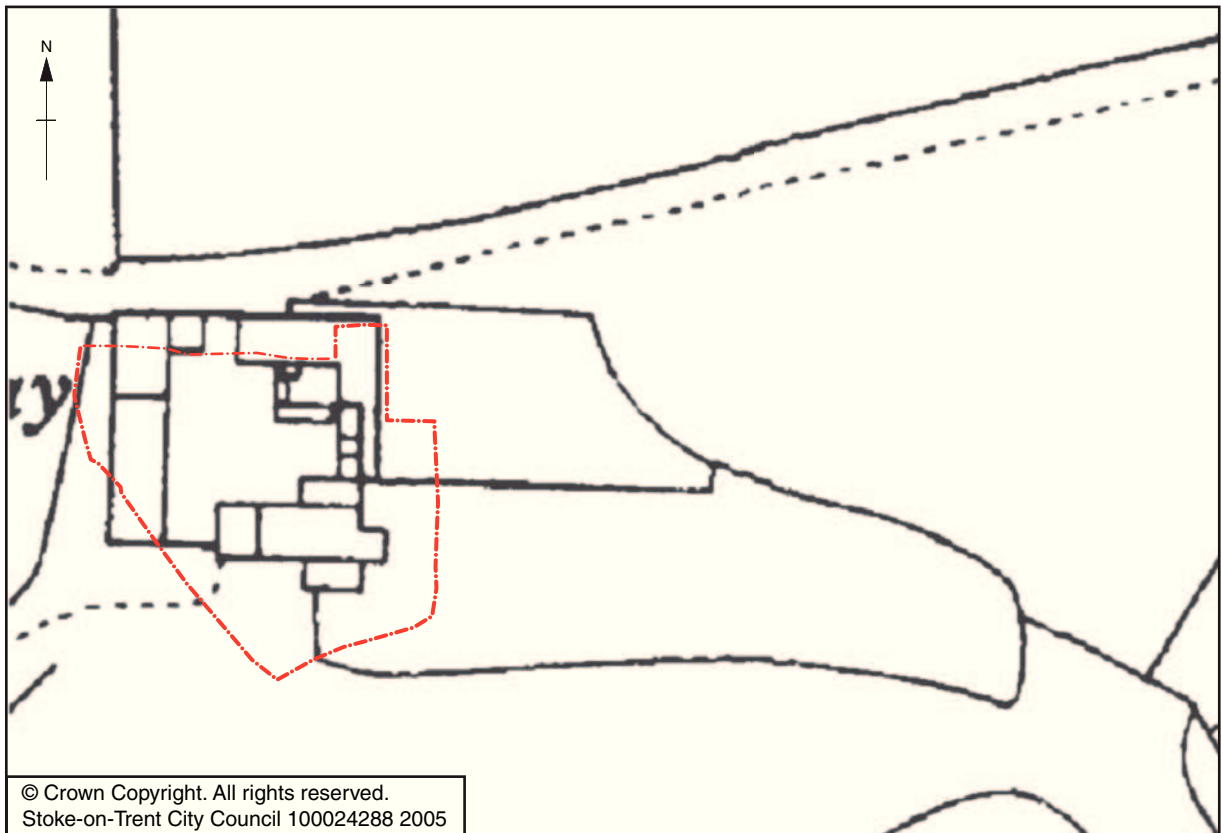
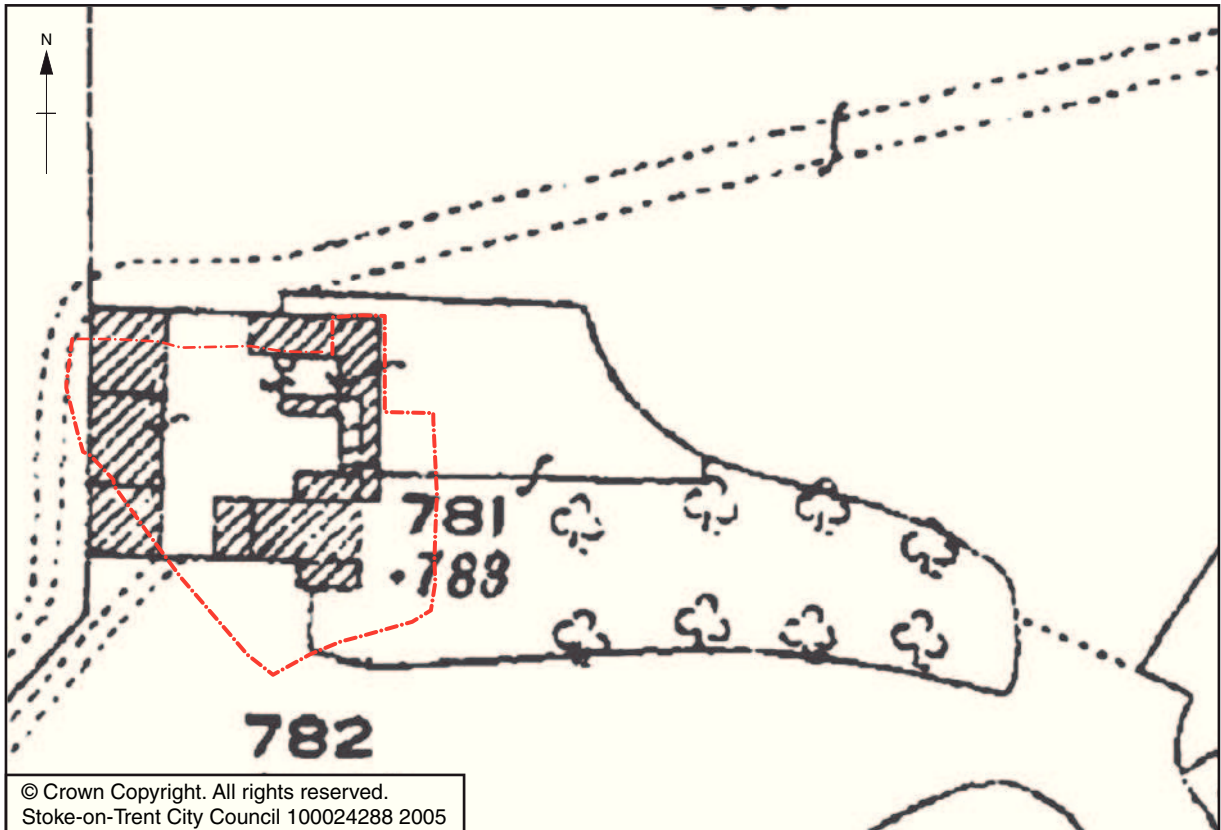


Figure 5: Plan 1



--- Site boundary

Figure 6: OS 1878 and 1900 showing Sideway Farm



--- Site boundary

Figure 7: OS 1924 and 1937 showing Sideway Farm



Plate 1: Structure 27



Plate 2: Structure 21



Plate 3: Structure 34



Plate 4: Structure 54, surface 33



Plate 5: Structures 28 and 29



Plate 7: Channel 50



Plate 6: Structures 31 and 32



Plate 8: General view of site post-excavation



Oxford Archaeology

Janus House
Osney Mead
Oxford OX2 0ES

t: (0044) 01865 263800
f: (0044) 01865 793496
e: info@oxfordarch.co.uk
w: www.oxfordarch.co.uk



Oxford Archaeology North

Storey Institute
Meeting House Lane
Lancaster LA1 1TF

t: (0044) 01524 848666
f: (0044) 01524 848606
e: lancinfo@oxfordarch.co.uk
w: www.oxfordarch.co.uk



Director: David Jennings, BA MIFA FSA

Oxford Archaeological Unit is a Private Limited Company, N^o: 1618597 and a Registered Charity, N^o: 285627

Registered Office:

Oxford Archaeological Unit
Janus House, Osney Mead, Oxford OX2 0ES