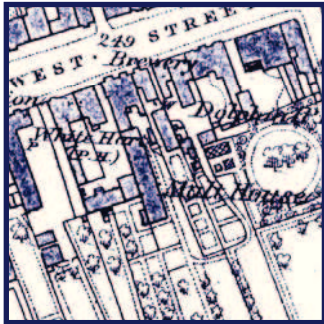


Hankin's Garage 47 West Street Alresford Hampshire



Archaeological Excavation Report



August 2006

Client: Gifford

Issue N^o: 1
OA Job N^o: 3190
Planning Ref N^o: 01/02448/FUL
NGR: SU 5866 3258

Client Name: Gifford

Client Ref No:

Document Title: Hankins Garage, 47 West Street, Alresford, Hampshire
Archaeological excavation report

Document Type: Archaeological Excavation Report

Issue Number: Final Report (1)

National Grid Reference: SU 5866 3258
Planning Reference: 01/02448/FUL

OA Job Number: 3190
Site Code: WINC269AY
Invoice Code: ALRGEV
Receiving Museum: Winchester Museums Service
Museum Accession No: WINC269AY

Prepared by: Peter Davenport
Position: Senior Project Manager
Date: 17th July 2006

Checked by: Paul Booth
Position: Senior Project Manager
Date: 30th August 2006

Approved by: _____ Signed .
Position:
Date: 30th August 2006

Document File Location X:\ALRGEV_Alresford\REPORT\Report Latest Version
30th August 2006\Hankin's Garage report final version
Aug 30th.doc

Graphics File Location \\Servergo\invoice codes a thru h\A_invoice
codes\ALRGEV\files

Illustrated by Julia Moxham

Disclaimer:

This document has been prepared for the titled project or named part thereof and should not be relied upon or used for any other project without an independent check being carried out as to its suitability and prior written authority of Oxford Archaeology being obtained. Oxford Archaeology accepts no responsibility or liability for the consequences of this document being used for a purpose other than the purposes for which it was commissioned. Any person/party using or relying on the document for such other purposes agrees, and will by such use or reliance be taken to confirm their agreement to indemnify Oxford Archaeology for all loss or damage resulting therefrom. Oxford Archaeology accepts no responsibility or liability for this document to any party other than the person/party by whom it was commissioned.

Oxford Archaeology
© Oxford Archaeological Unit Ltd 2006

Janus House
Osney Mead
Oxford OX2 0ES
t: (0044) 01865 263800
f: (0044) 01865 793496

e: info@oxfordarch.co.uk
w: www.oxfordarch.co.uk

Oxford Archaeological Unit Limited is a Registered Charity No: 285627

Hankins Garage, West Street, New Alresford, Hants *ARCHAEOLOGICAL EXCAVATION REPORT.*

CONTENTS

List of Figures	2
List of Plates	2
1 Introduction.....	3
1.1 Location and scope of work.....	3
1.2 Topography and Geology	3
1.3 Historical background.....	4
2 Fieldwork	4
2.1 Excavation Aims.....	4
These were:	4
2.2 Excavation Methodology.....	4
2.3 Scope of fieldwork.....	5
2.4 Presentation of results.....	5
3 Results.....	5
3.1 Introduction.....	5
3.2 Boundaries	5
3.3 Other postholes/small pits.....	10
3.4 Larger Pits.....	12
4 Discussion.....	13
4.1 The Excavation	13
4.2 General.....	14
Appendix 1 Pottery Report	17
Appendix 2 Glass Report.....	20
Appendix 3 Bibliography and references.....	22
Appendix 4 Summary of Site Details	22

LIST OF FIGURES

- Figure 1 Site location
- Figure 2 Site plan
- Figure 3 Sections of Boundary Ditch 113 and Fence Lines 1 and 2
- Figure 4 Plan and sections of Fence Line 3
- Figure 5 Sections of pits
- Figure 6 Phased interpretative site plan
- Figure 7 The excavated area in relationship to tenement boundaries, known and hypothesised, based
on the OS 1870 first edition county series
- Figure 8 Extract from New Alresford Tithe Apportionment Map, 1843
- Figure 9 Extract from The Plan of the Parish of New Alresford, 1805

LIST OF PLATES

- Plate 1 Looking south along Boundary Ditch 113
- Plate 2 Looking south-west across south of site, Fence line 1 in the centre,
running towards the portacabins.

Summary

A watching brief preceding four evaluation trenches on the site of a proposed development at Hankin's Garage proved the existence of medieval and post-medieval features on site. The superficial stratigraphy was all of 19th and 20th century origin so was removed during a strip, map and sample exercise which served as mitigation for the development that followed the evaluation. Apart from modern disturbances and foundations, the stripping revealed a ditch and post holes representing property and other boundaries dating from the 13th to the 19th centuries. Various other features were interpreted as postholes for structures, rubbish pits, planting holes and a well. Dating was based on pottery in the fills but residuality was considered. There were no obvious reasons to reject the association of most finds with the context they were in. Some doubt must remain as none of the features were sealed, although some lower fills were buried by the fills above them. An attempt has been made to interpret the boundaries in the context of the tenement layout of the planned town as it survived in the 1870, First Edition, Ordnance Survey map.

1 INTRODUCTION

1.1 Location and scope of work

- 1.1.1 In March 2006, Oxford Archaeology (OA) was commissioned to carry out an archaeological investigation prior to development at Hankin's Garage behind 47, West Street, New Alresford, Hants. (NGR: SU 5866 3258, centred), for Gifford and Partners Ltd. The site is situated on the edge of the medieval planned town (Fig. 1).
- 1.1.2 The first stage was a watching brief during demolition, carried out in early to mid-April 2006. This was followed in late April by an evaluation of four trenches totalling 120 square metres. This was itself followed in early May by a strip map and sample exercise on the whole development area of 1595 square metres.
- 1.1.3 Brief was prepared by Winchester City Council, incorporating comments from the Sites and Monuments Officer of Winchester City Council. A WSI for the watching brief was prepared in response to this by Gifford, (Gifford 2006) and a short method statement was prepared by OA.
- 1.1.4 A WSI was prepared and approved for the evaluation programme (OA 2006) and for the strip, map and sample (OA 2006a).

1.2 Topography and Geology

- 1.2.1 The site lies at *c* 75 m above OD and is situated on the southern side of the Itchen valley. It slopes down from just over 75 m at the east to just over 72 m at the west. This reflects the fall of West Street away from the church. The main underlying geology of the underlying downland landscape is Upper Cretaceous Chalk.
- 1.2.2 Prior to the evaluation the site was occupied by hard standing and buildings associated with the former Hankin's Garage. The northern part of the site contained fuel tanks and services. The central-western part of the site was known to have been built up, the modern yard

surface lying approximately 2.6 m above the pavement level to the west of the site. The development area has previously been terraced, with the terraces descending to the north and west to create level construction platforms for the current buildings.

- 1.2.3 During the evaluation, a buried soil of varying thickness was seen over the site. It was recorded in Trenches 2 and 4. This was removed during the stripping phase with little further record. It appears to have been the 19th century garden soil.

1.3 Historical background

- 1.3.1 The site is situated on West Street, which with Broad Street, East Street and Mill Hill formed the core of New Alresford laid out in 1200 AD by the Bishop of Winchester (Fig. 7). There may have been an earlier settlement on the site prior to the foundation of the new town. The town had grown to ninety plots by 1210-11, but these had reduced by the late 15th century due to fire and pestilence. The economy of the town picked up again during the Tudor period, until it was fired by the retreating Royalist army in the Civil War and later fires in the 18th century seem to have restricted the future growth of the town.
- 1.3.2 The development site is part of a block of long narrow properties with a small lane along the rear boundary on the south side of West Street. These property plots may have formed part of the early 13th century town layout, but had certainly been developed by the 16th century.
- 1.3.3 To the east and west of the site along the frontage of West Street are a number of 18th century listed buildings. It is thought that structural remains may survive along the frontage with rubbish and cesspits to the rear of the property plots. The first edition OS map indicates a smithy on the site.

2 FIELDWORK

2.1 Excavation Aims

These were:

- 2.1.1 To ascertain the date of the construction of the tenement plots.
- 2.1.2 To ascertain the date range for the use and occupation of the tenement plots; also to examine whether the plots moved over time, perhaps to accommodate further construction on or near the site.
- 2.1.3 To retrieve artefacts and ecofacts to indicate the functions of the buildings within the tenement plots; in order provide evidence for the relative status of the buildings and their inhabitants; to make a contribution to the understanding of the development of the town, its trade, industry and settlement.
- 2.1.4 To place the site within the wider context of medieval and post-medieval New Alresford and its surrounding area.
- 2.1.5 To make the results of the investigation available.

2.2 Excavation Methodology

- 2.2.1 The evaluation trenches were excavated by machine under archaeological supervision and then cleaned by hand. Features were sampled by hand excavation generally to 50% of the individual feature. All features were planned and sections drawn.
- 2.2.2 During stripping, all features were recorded on plan and all not obviously 20th century elements were excavated, planned and sections drawn. A small number of larger features were sampled at 25% rather than the usual 50% and the linear 113 was sampled at just less

than 10%. The sampling strategy was deemed sufficient to characterise the function and the date of the features, given the nature of the finds recovered.

- 2.2.3 All field work and recording followed the WSI and the standards laid down by the IFA *Standard Guidance for Archaeological Watching Briefs (2001)* and OA's standards as laid down in *Fieldwork Manual (OA, 1st edition. ed. D. Wilkinson, 1992)*.

2.3 Scope of fieldwork

- 2.3.1 After the evaluation trenches had shown archaeological deposits and features, the entire site was cleared to the chalk bedrock. All archaeological features were planned at 1:20 and located on to the site grid. Sections were drawn at 1:20 and occasionally at 1:10 where appropriate. All features were photographed using colour slide and black and white print film.

2.4 Presentation of results

- 2.4.1 The features recorded have been analysed into interpretative groups and salient information set out in tables, one for each group. Typical features have been chosen for illustration as representative of their group and condition.
- 2.4.2 This presentation is followed in each section by a short note on the nature and interpretation of the group. This section is then itself followed by a short discussion.

3 RESULTS

3.1 Introduction

- 3.1.1 The features on site were categorised as: boundary features, postholes not obviously on a boundary, pits and others. Basic information follows largely in tabular form.

3.2 Boundaries

- 3.2.1 Boundary Ditch 113 (Figs. 2 & 6).

3.2.1.1 This was sampled at intervals numbered 2, 41, 114 (Fig. 3, section 18), 117, 158 (Fig. 3, section 29), 163, 183. It was a mostly shallow feature with a maximum surviving depth of 0.55 m (at 114) and minimum 0.12 m (at 183). It was typically 1.2 m wide, flat bottomed and with sloping sides. As it was truncated, its original width at the top is unknown.

3.2.1.2 Where it was deepest it had essentially two fills: a light greyish brown chalky silt loam, interpreted as early silting; and a reddish brown silty clay chalk and flint, that varied in chalkiness, and was interpreted as the erosion or backfilling of the upcast back into the partly silted ditch (Fig. 3, section 18).

3.2.1.3 Only the lower layer survived where the ditch was very truncated. The bank was most likely on the west side of the ditch (based on the position of the upper layer) and may have supported a hedge.

3.2.1.4 A length of 48 m was uncovered in the excavation running north-south and it turned north-west near the northern end of the site where it was traced for a further 7.5 m (Fig. 2).

Table 1: Boundary ditch 113. See Appendix 1 for the ware codes in column 3

	<i>Context</i>	<i>Pottery date & ware</i>	<i>Other</i>	<i>Comments</i>
Silts	1	C13th FSC.	C19th glass	Glass is intrusive (this layer is topped and cut by 19th and 20th century deposits)
	42	C13th FSG		
	115	None		
	117	None		
	118	C13th FSG		
	159	C13th FSG & SWW		
	164	C12th FSC & FMW		
	184	C13th FSC & C17th PMR and Border		Only 12mm deep, C17th intrusive
Bank material	116	None		
	119	None		
	160	C13th FSC & FSG		
	165	C12th FSC & FMW		
	185	C13th FSC & FSG		

3.2.1.5 It is difficult to allocate the backfilling of this ditch to other than a 13th century date. Later pottery is known on site yet none has been found in the fills of this feature except almost certainly intrusively in the very truncated 184. It was therefore almost certainly one of the early tenement boundaries laid out at or soon after the planting of the town.

3.2.1.6 The ceramic building material (CBM) in 1, 118, 159, 164, 184, 185 is all flat peg tile which suggests wealth at this early date but is otherwise consistent with the pottery evidence.

3.2.1.7 The angle to the north west at the north end is difficult to explain but clearly significant. It will be returned to in the discussion

3.2.2 Fence Line 1

3.2.2.1 To the east of Boundary Ditch 113 was a line of pits and postholes marking another boundary (Fig. 2). All were truncated, some severely. It is possible that others had been removed completely.

Table 2: Fence Line 1. See Appendix 1 for the ware codes in column 5

<i>Context in N-S order (fills)</i>	<i>Description</i>	<i>Base level</i>	<i>Depth</i>	<i>Pottery date & ware</i>	<i>Comment</i>
244 (245, 246)	Square post hole, near vertical sides poss. post impression ion base	73.54	0.43 m		Post pipe 0.25 m dia
241 (242, 243)	Square, truncated no post pipe.	73.76.	0.24 m		
257 (258, 268)	Square, deep post pipe, cut into earlier pit 259 (probably replacement post hole)	73.72.	0.30 m	C13th FSG	cuts 259
259 (260)	Larger oval pit, possibly post pit, truncated. No post pipe.	73.84.	0.30 m	C12th FSC	and glass to be dated (possibly intrusive if late)
253 (254).	Oval(ish), very truncated, no post pipe	73.98.	0.04 m		
251 (252)	Oval, very truncated, no post pipe.	73.98.	0.04 m		
255 (256)	Round, very truncated.	74.02.	0.10 m		Cuts C13th pit 266
249 (250)	Oval, very truncated, no post pipe.	74.15	0.06 m		
247 (248)	Oval, very truncated, no post pipe.	74.21	0.06 m		
269 (270)	Oval pit, no post pipe	74.18.	0.20 m	C12th FMW	

3.2.2.2 Additionally, feature 48 seen in evaluation Trench 3, may have belonged to this group. It was 0.16 m deep. It was off line but otherwise probably like 269. The pottery date is 13th century (FSC FMW).

3.2.2.3 The depths showed an obvious split into two groups. The shallower and higher-based ones towards the north might reflect the levelling of an originally higher ground surface south of 257, probably in recent stripping. The less truncated post holes showed post pipes reflecting posts 0.18 to 0.25 m in diameter (Fig 3, sections 59, 61) .

3.2.2.4 The dating evidence is limited but consistent and argues for this line of post holes to be of 13th century origin. Strictly, of course, the dating only gives a *terminus post quem*, but the lack of later material, which is fairly abundant on site, is supportive of a date close to the TPQ. The material from the post hole 257 is from a post pipe and as the condition of the post pipe suggested that the post rotted *in situ*, is good TPQ evidence for construction.

3.2.3 Fence Line 2.

3.2.3.1 A superficially similar line of post holes was recorded roughly parallel and to the east of this line (Fig. 6 and Fig. 3, sections 65-67, 69).

Table 3: Fence Line 2. see Appendix 1 for ware codes in column 5

<i>Context (S to N)</i>	<i>Description</i>	<i>Base level</i>	<i>Depth</i>	<i>Pottery dating and ware</i>	<i>Comment</i>
271 (272)	Round, deep; no post pipe.	74.57	0.44 m		
273 (274, 275)	Subrectangular, deep; narrow post pipe.	74.62	0.42 m	17th century in post-packing PMR	
276 (277)	Oval, truncated, no post pipe.	74.94	0.08 m		
278 (279)	Square, truncated, no post pipe.	75.00	0.04 m		
280 (281, 282)	Square, truncated, narrow post pipe.	74.86	0.12 m	19th century in post-packing MISC	0.20 m dia post slightly tapered
290 (291, 292)	Round, deep; narrow post pipe.	74.69	0.30 m		0.12 m dia post, slightly tapered
293 (294)	Round, truncated no post pipe.	74.93	0.08 m		
295 (296)	Subrectangular, truncated, no post pipe.	74.89	0.12 m		
297 (298, 299)	Round slightly truncated; narrow post pipe.	74.85	0.16 m		0.12 m dia post
300 (301, 302)	Round slightly truncated; narrow post pipe.	74.76	0.22 m	C18th-19th glass	0.14 m dia post at slight angle
312 (313)	Round slightly truncated; no post pipe.	74.80.	0.20 m		
314 (315)	Round slightly truncated; no post pipe.	74.74.	0.24 m		
316 (317)	Round, truncated; no post pipe.	74.77.	0.06 m		

3.2.3.2 There is no obvious explanation for the variation in depths.

3.2.3.3 Dating is poor, but the two features with dating were clearly post-medieval, as late as the 19th century. The post pipes are generally noticeably thinner than those in Fence Line 1, but 280 may have been widened in removing the post.

3.2.4 Fence Line 3

3.2.4.1 This was made up of up to 15 post holes running east-west across the north end of the site, west of Boundary Ditch 113 and at right angles to it, at the point where it kinks westwards (Fig. 2 and Fig. 4). They were not all contemporary as some were evidently replacements/recuts. Nonetheless they were all clearly part of the same boundary line.

3.2.4.2 They were closer to each other than the other fence line posts and predominantly square or

rectangular in plan. The eastern post hole 186 (Fig. 2) cut the Boundary Ditch 113 (Fig. 4, section 36) and others were cut into the fills of several pits. Some of these pits may have been oversized post pits but two are large elongated pits that seem to have respected an earlier version of this alignment, of which no physical trace remains (157, Fig. 4, section 27 and 228, Fig. 5, section 45).

Table 4: Fence Line 3. See Appendix 1 for ware codes in column 5.

<i>Context</i>	<i>Description</i>	<i>Base level</i>	<i>Depth</i>	<i>Pottery dating and ware</i>	<i>Comment</i>
186 (187)	Rectangular, deep; post packing	72.15	0.38 m	C17th PMR	
230 (229)	Round flat based, vertical sides	72.11	0.22 m		
322	Square	na	na		0.14 x 0.16 m
223 (222)	Square, bowl profile	72.02	0.26 m	Post dates 228, C17th	
234 (233)	Square, deep vertical sides, stone packing.	71.59	0.56 m		0.22 m width post
238 (235, 236, 237)	Similar to 234 larger pit, replaced by 234	72.55	0.60 m		
324	Square (unexcavated)	na	na		0.18 m width
323	Ditto	na	na		0.18 m width
217 (218), 219 (220, 221), 215 (216), 213 (214)	Group of 4 square intercut post holes	71.46-71.86	0.08 m - 0.54 m		0.16-0.22 m dia Deepest [219] has steeply slanting post pipe 0.16 m dia
321	Square post hole	Not known	Not known		0.18 m dia
320	Oval pit cut by 321	Not known	Not known		Poss. multiphase post pit. One lobe would be 0.22m dia
150 (151)	Rounded square, vertical one side, packing stones other	71.43	0.58 m	Post dates 155, C17th	Cut into fill of 156

Table 5. Fence line 4.

<i>Context</i>	<i>Description</i>	<i>Base level</i>	<i>Depth</i>	<i>Pottery dating</i>	<i>Comment</i>
161 (162)	Terminal of narrow gully	72.67	0.04 m	C12 FSC	Very truncated
188 (189)	Part of narrow	72.47	0.08 m		ditto

<i>Context</i>	<i>Description</i>	<i>Base level</i>	<i>Depth</i>	<i>Pottery dating</i>	<i>Comment</i>
	gully				
190 (191)	ditto	72.20	0.04 m		ditto

3.2.4.3 Fence Line 4 was a truncated narrow gully. Before truncation it could have been of a more considerable depth, a boundary in its own right, like 113 (although about 0.15 m less deep); it may, however, only have been a palisade slot, but insufficient survived for a definitive interpretation. However, the fact that its base sloped to the west may equally suggest it functioned as a drainage gully or ditch, though it also followed the natural slope.

3.2.4.4 Unlike Fence Lines 1 and 2, which seem to have been tenement boundaries, Fence Lines 3 and 4 ran across the tenement line, as subdivisions. It is not known whether they are property or functional divisions. Fence Line 3 appears to have been of 17th century date or later, while Fence Line 4 contained one sherd of 12th century pottery and was cut by Boundary Ditch 113 (Fig. 3, section 29). The latter is pottery-dated to the 13th century so the relationship is consistent with the finds.

3.3 Other postholes/small pits

3.3.1 There were other postholes/small pits scattered across the excavated area which did not form any obvious pattern (Fig. 2). They were predominantly square or rectangular in plan and with vertical sides and a flat base, but some were round and with a round base.

3.3.2 The square plan features of posthole size were superficially alike and the dating evidence from them is limited. It suggests a 13th and 15th century date, but 124 contained a sherd of 18th century glass. Like all the shallow features on the site this could have had intrusive material in it. 17th century dating evidence came from larger features or round/irregular ones. No obvious pattern is visible but they did form two spatial groups with some scattered individuals. The group 129, 127, 131, 134 may go with 107 and 103 to outline a rectangular setting parallel to Boundary Ditch 113, but this is very speculative.

3.3.3 Some features, such as 64 and 67, 44 and 46, were probably relatively recent garden features, perhaps planting pits. Their fill is continuous with the 19th century garden soil.

Table 6. Other post holes and small pits. See Appendix 1 for ware codes in column 5.

<i>Context</i>	<i>Description</i>	<i>Base level</i>	<i>Depth</i>	<i>Dating and ware</i>	<i>Comment</i>
44 (45)	Square, truncated, no post pipe	73.51	0.06 m	None, but fill continuous with modern top soil	0.24 m wide.
46 (47)	Square, truncated, no post pipe	73.46	0.06 m	ditto	0.26 m wide
64 (63)	Round, steep side flat base	74.21	0.4 m	Cuts buried soil 61	0.6 m dia poss garden feature
66 (65)	Round, shallow bowl profile	74.78	0.15 m	Cuts buried soil 61	0.6 m dia poss garden feature
103 (104, 105, 106)	Square, deep vertical sides	72.58	0.32 m		0.52 m width. Groups with 107, 110, 127,

<i>Context</i>	<i>Description</i>	<i>Base level</i>	<i>Depth</i>	<i>Dating and ware</i>	<i>Comment</i>
					129, 131, 134
107 (108, 109)	Rectangular vertically sided pit, flat base	72.46	0.29 m	Cut by 110	0.62 x 0.5 m
110 (111, 112)	Oval post hole, wood in post pipe	372.36	0.36 m	Of recent date.	0.18 m width
122 (123)	Rectangular pit, vertical sides and flat base	72.43	0.40 m	C17th PMR	0.9 m x 0.65 m
124 (125, 126)	Rectangular pit, vertical sides and flat, uneven base	72.18	0.30	C13th FMW. C18th glass	0.66 m x 0.54 m
127 (128)	Rectangular, vertically sided pit, slightly rounded base	72.23	0.23 m	C15th GSW	0.18 m width
129 (130)	ditto	372.56	0.16 m	C13th FSC	
131 (132, 133)	Rectangular pit, vertical sides flat base	72.42	0.45 m	slate	1.25 m x 0.6 m
134 (135)	Rectangular pit, vertical sides flat base	72.64	0.07		0.45 m x 0.40 m
166 (167)	Shallow scoop	72.40	0.33 m	C12th FMW Cut by 113	1.20 m x 0.5 m
168 (169)	Square post hole	72.30	0.49 m	Cuts 113	0.45 m x 0.40 m
175 (176)	Shallow sub rectangular pit	72.10	0.07 m	C13th FMW	0.62 m width
178(177)	Ovalish, steep-sided, flat bottomed pit	71.99	0.20 m		0.54 dia
179 (180)	Shallow subrectangular pit	72.08	0.09 m	Cut by 181	0.5 m dia
181 (182)	Deep, subrectangular pit vert sided slightly rounded base	71.73	0.45 m	Cuts 179	0.30 m width
192 (193)	Rectangular pit, vertical sides, flat base	71.93	0.28 m		0.45 m x 0.40 m
194 (195)	Irregular feature, poss animal burrow or root hole	72.05	0.16 m	C17th PMR	0.75 m x 0.47 m
196 (197)	Irregular feature, poss animal burrow or root hole	72.06	0.04 m		0.52 m x 0.03 m
198 (199, 200)	Rectangular post hole, vertical sides, flat base, post pipe	71.81	0.43 m		0.6 m x 0.57 m
203 (204)	Round shallow post hole	73.43	0.10 m	C19th glass	0.40 m dia
205 (206)	Irregular scoop prob animal burrow	73.63	0.10 m		
207 (208)	Irregular scoop prob animal	73.62	0.06 m		

<i>Context</i>	<i>Description</i>	<i>Base level</i>	<i>Depth</i>	<i>Dating and ware</i>	<i>Comment</i>
	burrow				
289 (288)	Rectangular pit	74.92	0.28 m	Post med	Sheep/goat burial. 1.20 x 0.66 m
303 (304)	Square, flat-bottomed, vertical sided pit	74.09	0.52 m	C12th FSC from primary silt	0.54 m width. Deliberately back filled with chalk over a prim. Silt. Sheep/ goat burial
306	Round, saucer-shaped pit	74.45	0.26 m	Cuts 303	0.75 m dia
310 (311)	Deep oval post hole, near vert sides, rounded base.	75.44	0.55 m		0.30 m x 0.35 m. Close to fence line 2.
319	Rectangular pit, vert sides	74.75	0.12 m		Dog burial 0.40 x 0.24 m

3.4 Larger Pits

- 3.4.1 A number of pits were scattered across the site (Fig. 2). The survival of heavily truncated post holes suggests that few if any pits have been lost to that process.
- 3.4.2 The larger pits, 69, 157, and 228 were clearly post-medieval, 17th century or later (Fig. 5, sections 26, 32, 45). The circular, bowl shaped pits, about one metre across, seem to have been of 13th century date or so (138, 173; Fig. 5, sections 14 and 33).
- 3.4.3 The bath tub-shaped pits gave the impression that they were designed for some specific purpose, but the fills and finds do not suggest one. Pit 157 seems to have been recut at least once (Fig. 5, section 32). The bowl shaped pits were probably rubbish pits, although they contained little domestic or craft debris.
- 3.4.4 Pit 209 was probably a well, cut with vertical sides through the chalk. It was deliberately filled and plugged with packed flint nodules. It produced one sherd of 13th century pottery and may have been backfilled at that time, but this could easily be residual.
- 3.4.5 Three rectangular pits containing animal burials were also excavated by the western edge of the site, near Fence Line 2. All were probably post-medieval. Pit 289 contained sheep/goat that was interred along with 19th century pottery and glass. Pit 303 was heavily truncated but contained vestigial remains of what seems to have been a complete sheep/goat skeleton. It had 12th century sherds associated, but these were possibly residual. 318 contained a dog placed on its back and the latest pottery in it was of 17th century date. The dog was presumably a pet/working dog, around spaniel size, disposed of in the furthest reaches of the back garden once it had died. The goats are slightly more problematic, but an old animal kept for milk, partly a pet, and too old to eat, might similarly have been disposed of.

Table 7: Larger pits. See Appendix 1 for ware codes in column 5.

<i>Context</i>	<i>Description</i>	<i>Base level</i>	<i>Depth</i>	<i>Dating</i>	<i>Comment</i>
67 (68)	Oval pit, steep sides, bowl-shaped section	74.51 m	0.37 m		Cut through old top soil
69 (70-76)	Large, oval pit with steeply sloping sides, flattish base	72.83 m	1.14 m	C19th glass and C17th PMR	4 m x 2.6 m Deliberately but slowly backfilled, rubbish pit?
138 (139, 140)	Round, bowl-shaped flat-bottomed pit.	71.80 m	0.64 m	C13th FSC FSG in prim. silt	1 m dia
141 (139)	Shallower bulge on side of 138 with same fill.	71.96 m	0.54 m		Poss recut of 138 or earlier; relationship unknown
157 (152-156)	Large, elongated bath tub-shaped pit, vertical sides and flat base	71.06 m	0.87 m	C17th PMR but contains residual C13th.	After prelim silting, deliberately backfilled with chalk
173 (174)	Deep, round, bowl-shaped pit	71.65	0.65 m	C13th, FSC, Brill	0.9 m dia. Rubbish pit.
201 (202)	Shallow, saucer-shaped scoop; truncated.	73.47 m	0.15 m	Clay tobacco pipe	1.6 m dia
209 (210, 211)	Round, vertical-sided pit; prob. Well. Packed with flint	71.87	0.76 m not bottomed	C13th FSG	1.1 m dia. One sherd in backfill; may be residual, but unlined chalk well quite possible in C13.
228	Large bath tub-shaped pit. Possibly recut by 225, but may be simply a fill line.	71.64	0.58 m	C17th PMR, Border C13th residual. Cut by ph223	After prelim silting, deliberately backfilled with chalky clay
232 (231)	Elongated pit, quite shallow	72.23?	0.14 m?		0.70 m or 1.4 m x 0.42 or 0.84 m There is considerable doubt about these figures

4 DISCUSSION

4.1 The Excavation

4.1.1 The stripping of the overburden from the site removed all superficial deposits over the chalk, and indeed some of the truncation seen in features such as the post holes was caused at this point. However, the evaluation trenches, and observation during stripping, made it quite clear that there was little in the way of stratified deposits pre-dating the early 20th century. A thin buried soil was seen in Trenches 2 and 4.

4.1.2 The archaeological evidence consisted essentially of negative features. Given the nature of

the subsoil, hard Upper Chalk, it seems likely that a very high proportion of the features on site were recognised and recorded.

- 4.1.3 Dating, and other interpretation, is problematic. Residuality and intrusion on shallow disturbed features is hard to quantify. However, there are patterns which allow a degree of confidence in the contemporaneity of finds to feature fills. The material from the boundary ditch 113, for example, is all of a piece and the opportunity provided by this catchment for later pottery to enter as it filled seems too great to dismiss the fact that only 13th century material is, in fact, in it. A certain amount of special pleading is required to dismiss one 17th century sherd as intrusive in a section of ditch only 0.12 m deep, but is accepted here.
- 4.1.4 The pits seem to follow a rough pattern in that larger elongated ones are post-medieval and the smaller round ones have produced either no dating evidence or 13th century pottery.
- 4.1.5 The near absence of finds from the period between the 13th and 17th centuries might suggest a loss of layers in the truncation processes, but it does not quite explain the presence of as much 17th century material as 13th, unless material of the intervening centuries was removed from site before the later period. This is a complexity of hypothesis that needs more supporting evidence than that suggested in para 4.1.7 □Occam's razor.
- 4.1.6 The dating of the pottery has been given by the pottery specialist as a TPQ and this would still hold true for types that continued in use into the 14th century, although these are not many.
- 4.1.7 It may well be simply that the lacuna represents a real and substantial reduction of activity at this edge-of-town plot, or even partial abandonment in the later middle ages and early post-medieval period.

4.2 General

- 4.2.1 The features recorded are obviously predominantly boundary features and the interest lies in their date and function, especially in relation to the planned town of the 12th century and its development.
- 4.2.2 The site occupies a property at the western end of West Street which itself is part of a block of properties bounded by West Street on the north, the church enclosure to the east, Jacklands or Jacklins Lane to the west and an unnamed back lane on the south. This block of property is of some interest as it can be interpreted as one of the original blocks laid out and subdivided for Bishop Godfrey in the late 12th century.
- 4.2.3 Three historical maps of New Alresford have enough detail to allow some investigation of the potential property history of the town: the 1805 enclosure award map; the tithe apportionment map of 1843, and the first edition large scale Ordnance Survey map of 1870.
- 4.2.4 Both the two earlier maps suffer, from the viewpoint of urban research, from an interest in the fields around the town rather than the town itself. Nonetheless, the 1805 map (Figure 9) shows the block of properties clearly, before the cutting through of Station Road, bounded by the churchyard, High Street (West Street) the present Jacklins Lane, and a □Back Foot Way□ on the south. No internal boundaries are shown, although the simplified building outlines match those of 1870 reasonably well, with clear but limited changes.
- 4.2.5 The 1843 tithe map shows the same block, although the boundary with the church yard is actually not shown, as of no interest to the tithing apportionment (Fig. 8). Curiously, the southern part of the end property in which the excavation took place, is marked off as titheable pasture land (no 57).
- 4.2.6 What appear to be indications of internal tenement boundaries appear on the tithe map, but

only as stub lines along the southern boundary. It seems to be possible to identify the east end three or four with boundaries on the 1870 map, but not the others. However, these lines are unreliable, as they were of no interest to the tithe commissioners.

- 4.2.7 The map does show the block of buildings, possibly stables or coach-houses, in the centre of the Hankins Garage site (4.2.14 below). The rest of the buildings on the frontages are clearly shown schematically.
- 4.2.8 The block is first shown with internal detail in the 1870 map (Fig. 7). By this time, the block has been cut in two by the road to the railway station (Station Road). Its original length is very close to a furlong (220 yds) east to west and 118 yards north-south at each end (it widens to the centre). Study of the property boundaries on the 1st edition OS map of 1870 suggests that this was divided into half and half again to provide the main framework for further subdivision, giving an ideal set of four blocks, each of ten poles (Fig. 7). The three eastern blocks are all of a piece in area but the western one is only about 82% of the size of the others. This might suggest a miscalculation in laying out the first blocks westwards from the church, or Jacklins Lane may have been taken from the end plot (its inclusion puts the size of the end plot back to 100% but spoils the neatness of the furlong measurement).
- 4.2.9 The map shows clear evidence of a typical subdivision of these large blocks (by sub-lessees?) into long tenements running the full depth from West Street to the back lane. Each quarter block seems to have been divided into five or six tenements, but the pattern has been obscured by changes that are probably post-medieval and perhaps related to New Alresford's numerous fires and subsequent economic decline (Fig. 7). Some of these changes took place as recently as between the 1843 map and that of 1870, for example, the large garden along Station Road and possibly some changes in the boundaries in the tenements immediately east of Hankins garage (Figs 7 and 8).
- 4.2.10 The Hankin's Garage property shows no internal north-south boundaries in 1870 except the short ones on the West Street frontage, and the only significant ones in the rest of the block are east-west. Except for the enclosed area shown at the south of this block, and now a separate property, and the corner group of properties (49-51, West Street), Hankin's amalgamated all these as it grew after the Second World War.
- 4.2.11 Putting together the information from 1870 and the archaeological results it is possible to present a hypothesis for a crude property boundary history of this block. This is indicated on Figure 7.
- 4.2.12 The block was early divided to judge from the 13th century date of the backfilling of Boundary Ditch 113 and the proposed similar dating of Fence Line 1 (Fig. 6). The existence of a bank on the west of 113 suggests it was dug from that side, i.e. that the plot boundary is the east side of the ditch. This makes sense if the bend in the ditch is taken into account. It appears that the plot that was being demarcated did not have a West Street frontage and was always meant to front on to the side lane. The bank being on the inside of the secondary plot would be logical.
- 4.2.13 The point where the angled boundary would meet the side lane is the same as the point where the rear property boundary of 49/51 West Street now meets it, which is probably significant.
- 4.2.14 Fence Line 1 demarcates a plot of a similar width (somewhat less) to that outlined by Boundary Ditch 113. By 1870, any continuation north had been removed by the construction of what appear to be stables and coach houses on the site of Hankin's workshops. Interestingly, and perhaps significantly, the alignment is picked up in the boundary between the smithy and the property next door on the West Street frontage in 1870 (Fig 7). This may indicate that this alignment represents an early division of the rest of the block into two unequal tenements. The western one perhaps had the corner frontage

running back to a narrow tongue (caused by the cutting out of the ditched boundary), and the eastern would be a broad tenement with a constant width, running the whole depth of the block against its eastern side (Fig. 7).

- 4.2.15 Fence Line 2, of 19th century date, predates the narrow lane on the 1870 map with which it is parallel, running up to the coach house from the south, on the eastern side of this end block of tenements (Fig. 7). As it aligns with the end of the splayed southern entrance to this lane, the west wall of the eastern block of the coachhouse and the west side of the access way east of the smithy, it seems likely that it represents a narrow subdivision of the wide tenement along the eastern side, that may have been originally contrived for access.
- 4.2.16 Fence Line 3 runs east-west and is of 17th century date. It approximately aligns with the north wall of the coach house. The south wall of the coach house and the south boundary of the West Street properties in 1870 suggest a division of the block into a series of plots across the original block, the coachhouse block having access from West Street along the carriage way past the smithy mentioned in 4.2.10. This arrangement cuts across the presumed early plan and seems likely to be post-medieval in date (Fig. 7). This could tie in quite well with the lack of activity discussed in 4.1.5.
- 4.2.17 The post war development of the garage is essentially constrained by this property arrangement.
- 4.2.18 The pottery from the site is essentially local, only one sherd from as faraway as Somerset arrived on site during the middle ages. With several sources of pottery within a day or so's distance this is hardly surprising. The lack of luxury imports suggests a middling standard of living but is also probably a reflection of the small assemblage recovered. The pot represented by the single sherd of German stone ware of 15th century date probably arrived via Winchester/Southampton.
- 4.2.19 The aims of the investigation (see section 2.1 above) have all been met to some degree, with the exception of the aim to retrieve eco- and artefacts to elucidate functions and status of the buildings in the tenements. Here the material was either not present or from too small a sample to give any meaningful results.

APPENDICES

APPENDIX 1 POTTERY REPORT

Pottery from Alresford, Hants, site WINC AY 269

Paul Blinkhorn

The pottery assemblage comprised 121 sherds with a total weight of 1562 g. All the material was medieval or later. Generally, it comprised small, fragmented groups of material, all of which appears to be the product of secondary deposition. The medieval assemblage comprised entirely jars and jugs, other than a single bughole from a late medieval cistern.

The following fabrics were noted:

FSC: Fine sandy coarseware, 12th □ 14th century?. Very fine, slightly micaceous sandy ware with smooth surfaces. Generally grey, some sherds with brown surfaces. Some sherds have glaze splashes. 33 sherds, 217 g.

FMW: Fine Micaceous ware, 12th □ 14th century. Thin, fine ware with moderate silver mica. Most sherds have no visible quartz, although some do have a sandy texture. 19 sherds, 179 g.

FSG: Fine Sandy Glazed Ware. This category encompasses a range of fabrics, all of which have a similar mineralogical composition, based on quartz with varying degrees of iron ore. They seem likely to be the products of several as yet unknown kiln sites, and are typical of 13th century Hampshire sites. They mainly comprise an orange-coloured sandy ware recognised from the northern and eastern suburbs of Winchester (Denham and Blinkhorn in print). 14 sherds, 265 g.

SWW: ?Somerset whiteware. White fabric, moderate to dense white sub-rounded quartz up to 1mm. Glossy, variegated yellowish-green and green glaze. 1 sherd, 6 g.

Brill/Boarstall ware. Fine, sandy glazed ware, 13th □ 16th century. Earlier vessels mainly highly decorated glazed jugs (Mellor 1994). 1 sherd, 63 g.

Surrey White Ware (Pearce and Vince 1988). c. 1250-1450. White fabric with abundant, well sorted iron-stained, pink, white and clear quartz, sparse to moderate red and black ironstone. Mainly jugs with a rich copper-green glaze, often highly decorated with incised and applied decoration and iron-rich slip. 1 sherd, 54 g.

German stoneware. c. 1400-1700 (Gaimster 1997). Uniform grey stoneware, characterised by either a mottled brown or 'tiger striped' salt glaze. The main vessels forms for this ware include a range of mugs and *Bartmann* jugs. 1 sherd, 8 g.

PMR: Post-Medieval Red Earthenwares: Fine sandy earthenware, usually with a brown or green glaze, occurring in a range of utilitarian forms. Such 'country pottery' was first made in the mid-late 16th century, and in some areas continued in use until the 19th century (Crossley 1990). 37 sherds, 824 g.

Border wares. c. 1550-1700. White fabric, moderate rounded red quartz, iron stained to varying degrees, up to 0.25mm in size, with occasional grains up to 0.5mm. Sparse rounded red and black ironstone up to 0.25mm with sparse flecks of mica up to 0.1mm. The range of glazes on the vessels range from green, olive and yellow. Made in a wide range of utilitarian forms. 1 sherd, 54 g.

TGE: Tin-glazed earthenwares. c. 1612-1800. A uniform yellowish/buff biscuit fabric with a white tin-glaze and painted blue or polychrome decoration. Produced on a large scale in London from c 1612

onwards and then in centres like Bristol, Liverpool, Glasgow later on in the century (Orton 1988, 298).
1 sherd, 7 g.

LES: *English Stoneware*: White/grey stoneware with a salt glaze. Made at numerous centres, such as Staffordshire, London and Nottingham, from the later 17th century onwards, in a wide range of utilitarian forms (ibid.). The material from this site was all of 19th century type. 2 sherds, 35 g.

MISC: *Miscellaneous 19th century wares*: Encompasses a whole range of common later 19th century material, such as transfer-printed Ironstone china and flower pots. 9 sherds, 72 g.

The pottery occurrence by number and weight of sherds per context by fabric type is shown in Table A1. Each date should be regarded as a *terminus post quem*.

Table A1: Pottery occurrence by number and weight (in g) of sherds per context by fabric type.

Context	FSC		FMW		FSG		SWW		Brill		Surrey		German S		PMR		Border		TGE		LES		MISC		Date
	No	Wt	No	Wt	No	Wt	No	Wt	No	Wt	No	Wt	No	Wt	No	Wt	No	Wt	No	Wt	No	Wt	No	Wt	
1			1	6																					13thC
23																							1	10	19thC
25																							2	34	19thC
27			1	24											2	11					1	16			18thC
42					1	4																			13thC
49	2	10	1	19																					13thC
63	1	17													1	7									17thC
67															1	5									17thC
70	1	17													3	80									17thC
71	2	13			1	20									1	35									17thC
72	1	4																							12thC?
73	1	8													3	74									17thC
74	1	3													9	163									17thC
76															1	27									17thC
118					1	3																			13thC
123															1	12							1	2	19thC
126			1	5																					13thC
128													1	8											15thC
130	2	10																							12thC?
137	1	2																							12thC
139			1	8																					13thC
140	2	29			1	39																			13thC
151	1	5													1	4									17thC
153															1	10									17thC
155					1	12					1	54													M13thC
159			2	18			1	6																	13thC?
160			2	15	1	2																			13thC?
162			1	6																					12thC?
164	1	14	2	14																					12thC?
165	1	4	2	25																					12thC?

Context	FSC		FMW		FSG		SWW		Brill		Surrey		German S		PMR		Border		TGE		LES		MISC		Date
	No	Wt	No	Wt	No	Wt	No	Wt	No	Wt	No	Wt	No	Wt	No	Wt	No	Wt	No	Wt	No	Wt	No	Wt	
167			1	19																					12thC?
174	3	20								1	63														13thC
176			2	2																					12thC
184	3	20													1	8	1	10							17thC
185	2	10			2	8																			13thC
187															3	143									17thC
195															1	27									17thC
202																					1	19			18thC
210															1	159									17thC
211					2	159																			13thC
226	1	6													2	37	1	32							17thC
258					1	6																			13thC
260	3	13																							12thC?
267	1	4			1	3																			13thC
270			2	18																					12thC?
274															1	12									17thC
281																							2	23	19thC
287					1	5																			13thC
288	1	3													3	8			1	7			3	3	19thC
304	1	3																							12thC
309					1	4																			13thC
319	1	2													1	2									17thC
Total	33	217	19	179	14	265	1	6	1	63	1	54	1	8	37	824	2	42	1	7	2	35	9	72	

APPENDIX 2 GLASS REPORT

An Assessment of the Glass from Hankins Garage, 47 West Street, Alresford, Hampshire.

Dr Hugh Willmott

Introduction

A very small assemblage of glass was recovered from the excavations at Alresford (summarised by context at the end of this assessment). All is stable and requires no further specialist treatment. All the glass is later post-medieval in date.

The Assemblage

All the fragments can be positively identified, and all comes from containers. There are small fragments from wine and cylindrical bottles and all date to between the late 17th and 19th centuries. Nonetheless, such glass is ubiquitous on post-medieval excavations, representing common domestic rubbish.

Recommendations for Further Work

The assemblage is so small, fragmented and recent in date that further study will provide no further meaningful data. Consequently it is recommended that only this assessment be placed in the site archive and the glass discarded.

Table A2: Brief Summary of the Glass (by context)

<i>Context</i>	<i>Count</i>	<i>Description</i>	<i>Date</i>
1	4	Wine bottles	19th century
27	1	Wine bottle	18th century
71	1	Wine bottle	19th century
126	1	Wine bottle	18th century
204	1	Cylindrical bottle	19th century
260	1	Wine bottle	Late 17th-18th century
288	4	Wine and cylindrical bottles	19th century
301	1	Wine bottle	18th-19th century

APPENDIX 3 BIBLIOGRAPHY AND REFERENCES

- Denham, V and Blinkhorn, P. forthcoming The medieval pottery from the Northern and Eastern suburbs of Winchester
- Gaimster, D, 1997 *German Stoneware* British Museum Publications
- Gifford 2006 Written Scheme of Investigation (Gifford Doc 13374/R03 28th April 06)
- Mellor, M, 1994 Oxford Pottery: A Synthesis of middle and late Saxon, medieval and early post-medieval pottery in the Oxford Region *Oxoniensia* **59**, 17-217
- OA 2006 Hankins Garage, 47 West Street, Alresford, Hampshire. Archaeological Investigation, Written Scheme of Investigation
- OA 2006a Hankins Garage, 47 West Street, Alresford, Hampshire. Archaeological Investigation, Written Scheme of Investigation (i.e. for the strip map and sample)
- Orton, C, 1988 Post-Roman Pottery in P Hinton (ed.) *Excavations in Southwark 1973-76 and Lambeth 1973-79* MoLAS and DGLA Joint Publication **3**, 295-364
- Pearce, J, 1992 *Border Wares* HMSO
- Pearce, J and Vince, A, 1988 *A Dated Type-Series of London Medieval Pottery. Part 4: Surrey Whitewares* London and Middlesex Archaeol Soc Special Paper **10**

APPENDIX 4 SUMMARY OF SITE DETAILS

Site name: Hankins Garage, West Street, New Alresford, Hants

Site code: WINCAY269

Grid reference: SU 5866 3258

Type of work: Investigation and mitigation excavation of archaeological remains
Date and duration of project: April to May 2006, intermittently

Area of site: 1595 sq. m
Summary of results: Evaluation, followed by a strip, map and sample exercise revealed a series of features cut into the chalk. These were interpreted as medieval and post medieval property boundaries and fences. Some pits of uncertain function were recorded of medieval and post-medieval date.

Location of archive: The archive is currently held at OA, Janus House, Osney Mead, Oxford, OX2 0ES, and has been accepted for deposition with the Winchester Museum Service. The accession number is WINC AY269



Scale 1: 50,000

Reproduced from the Explorer 1:50,000 scale by permission of the Ordnance Survey on behalf of The Controller of Her Majesty's Stationery Office © Crown Copyright 2000. All rights reserved. Licence No. AL 10005569

Figure 1: Site location

X:\ARCEV_Aresford\Cad\current\ARCEV_surveys\figure_2_Site Plan\WINCM AY269\ALRGEV\Hankin's Garage, New Aresford\fig\heality\15 Aug 2006

586620E
325890N

586700E
325890N

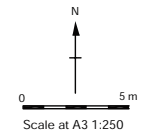
586620E
325840N

586700E
325840N



- - - Site boundary
- - - Evaluation trench
- Archaeological feature
- Archaeological intervention
- 77 Context number
- 13 Section number
- Section line
- Modern feature
- ⊕ OS Coordinate

Survey Data supplied by :
Oxford Archaeology



Oxford Archaeology
Janus House,
Osney Mead,
Oxford,
OX2 0ES.
Tel: 01865 263800 Fax: 01865 793496
email: mail@oxfordarch.co.uk
web: www.oxfordarch.co.uk

WINCM AY269
Hankin's Garage,
New Aresford

Drawing No.	OA3
Date printed	15 Aug 2006
Drawing title	

Figure 2:
Site Plan

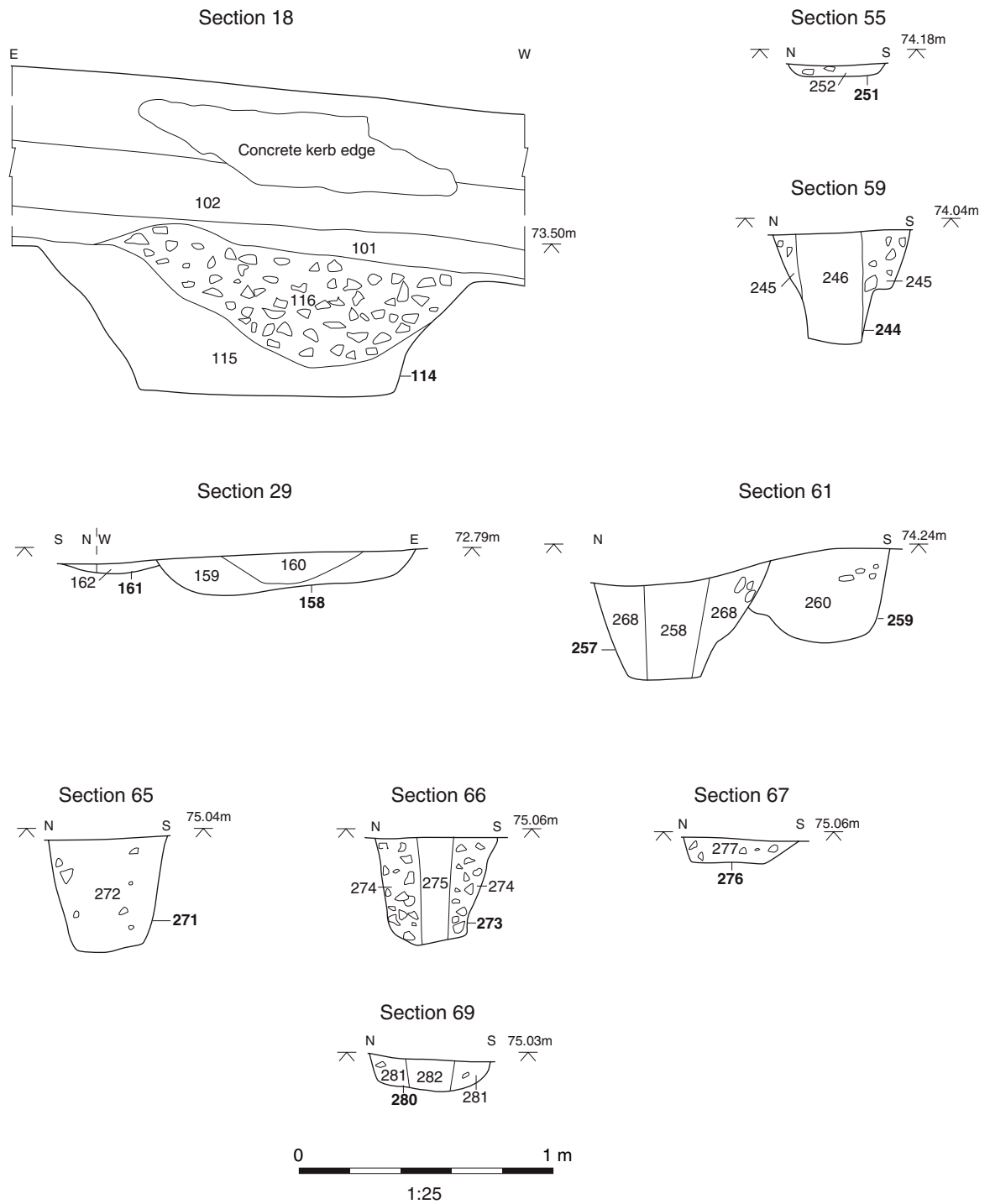


Figure 3. Sections of Boundary Ditch 113 and Fence Lines 1 and 2

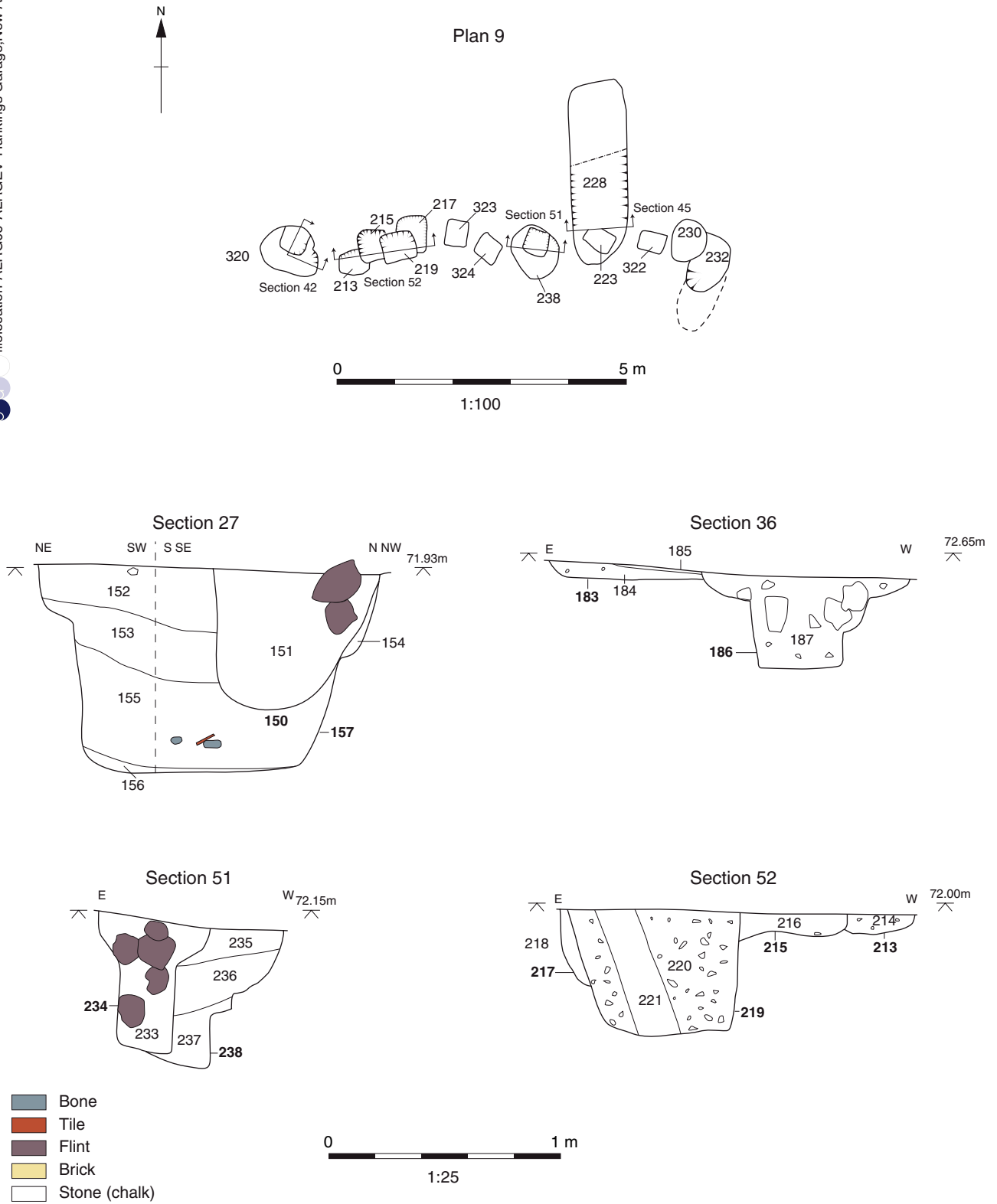


Figure 4: Plan and sections of Fence Line 3

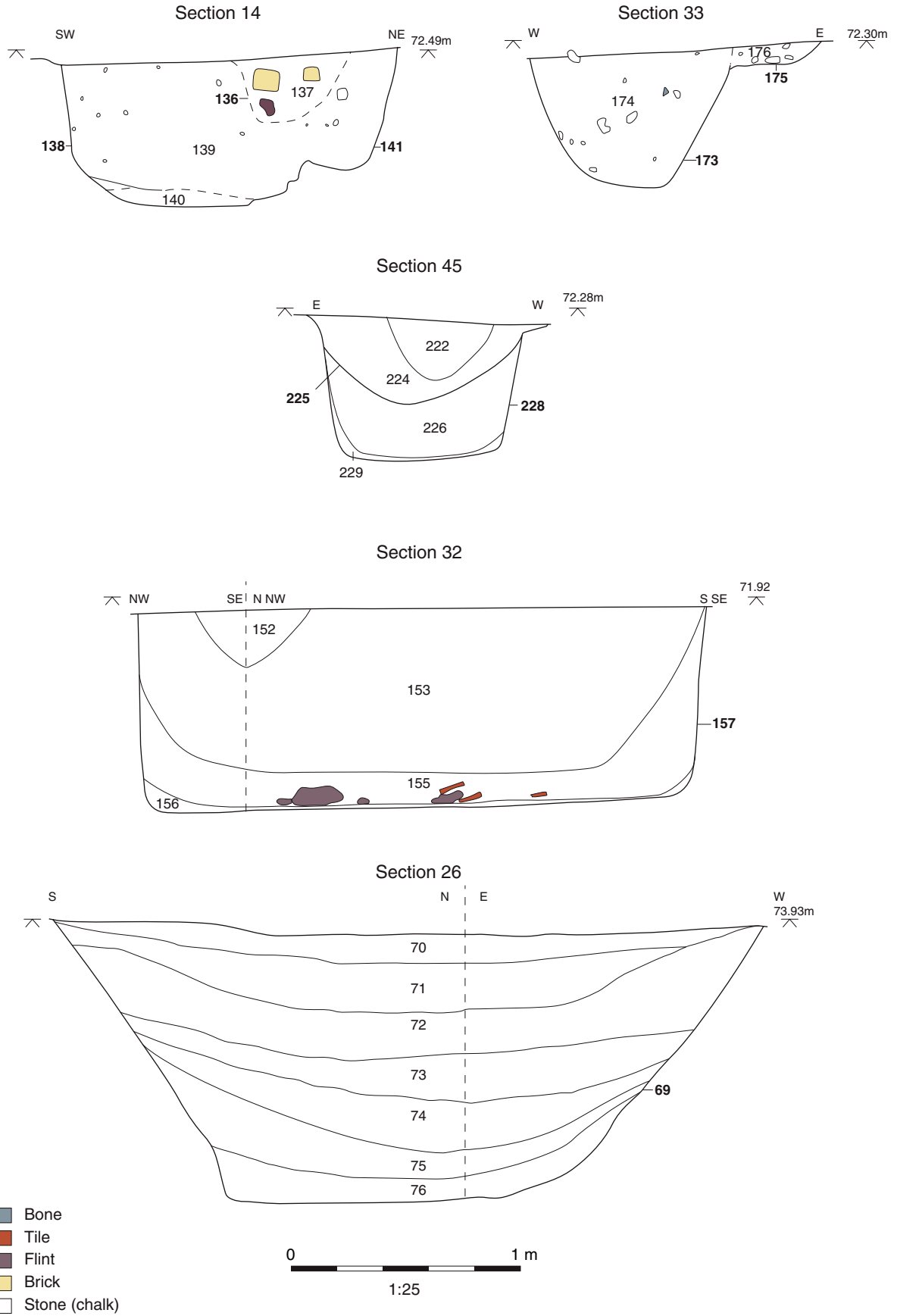


Figure 5: Sections of pits

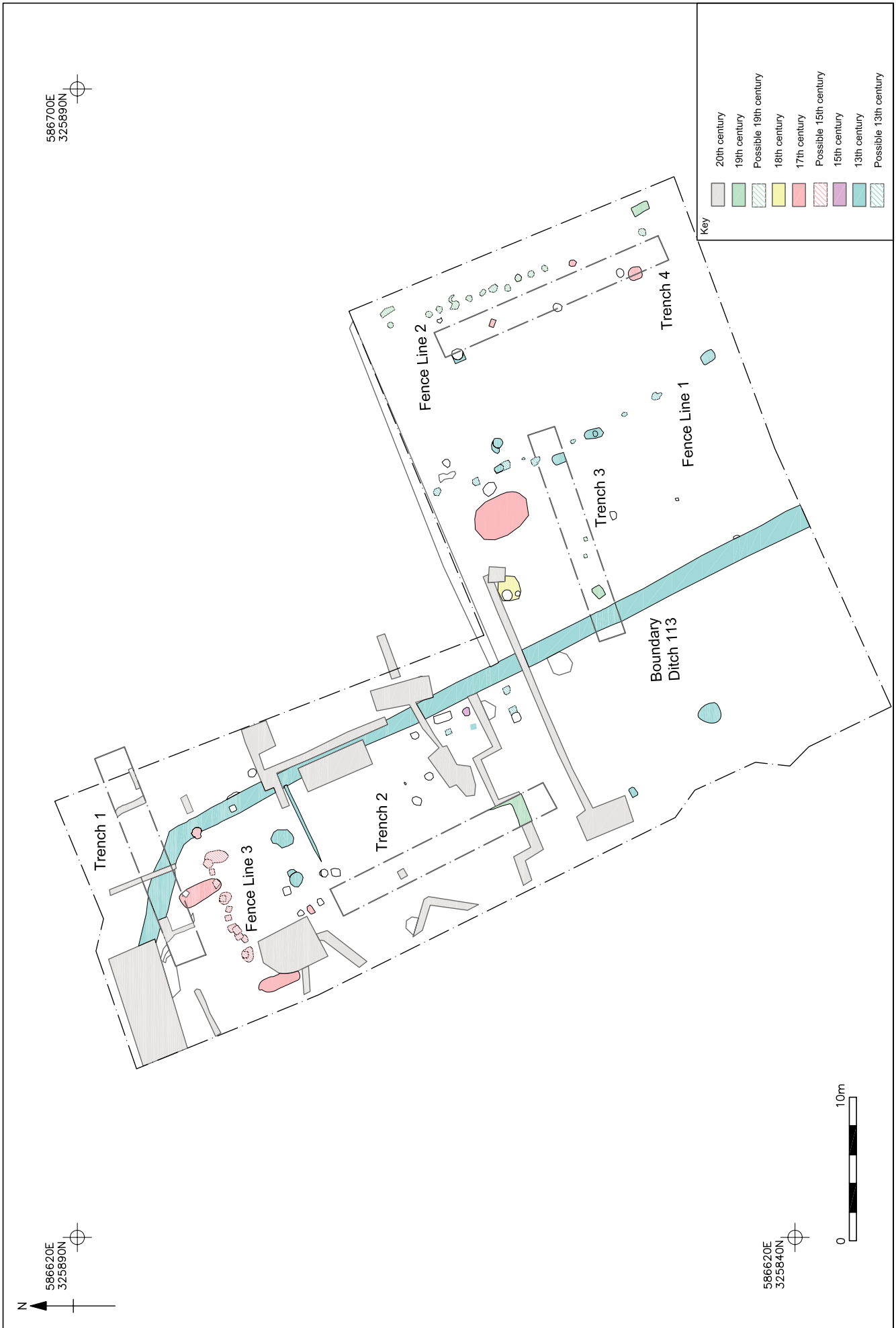


Figure 6: Phased interpretative site plan

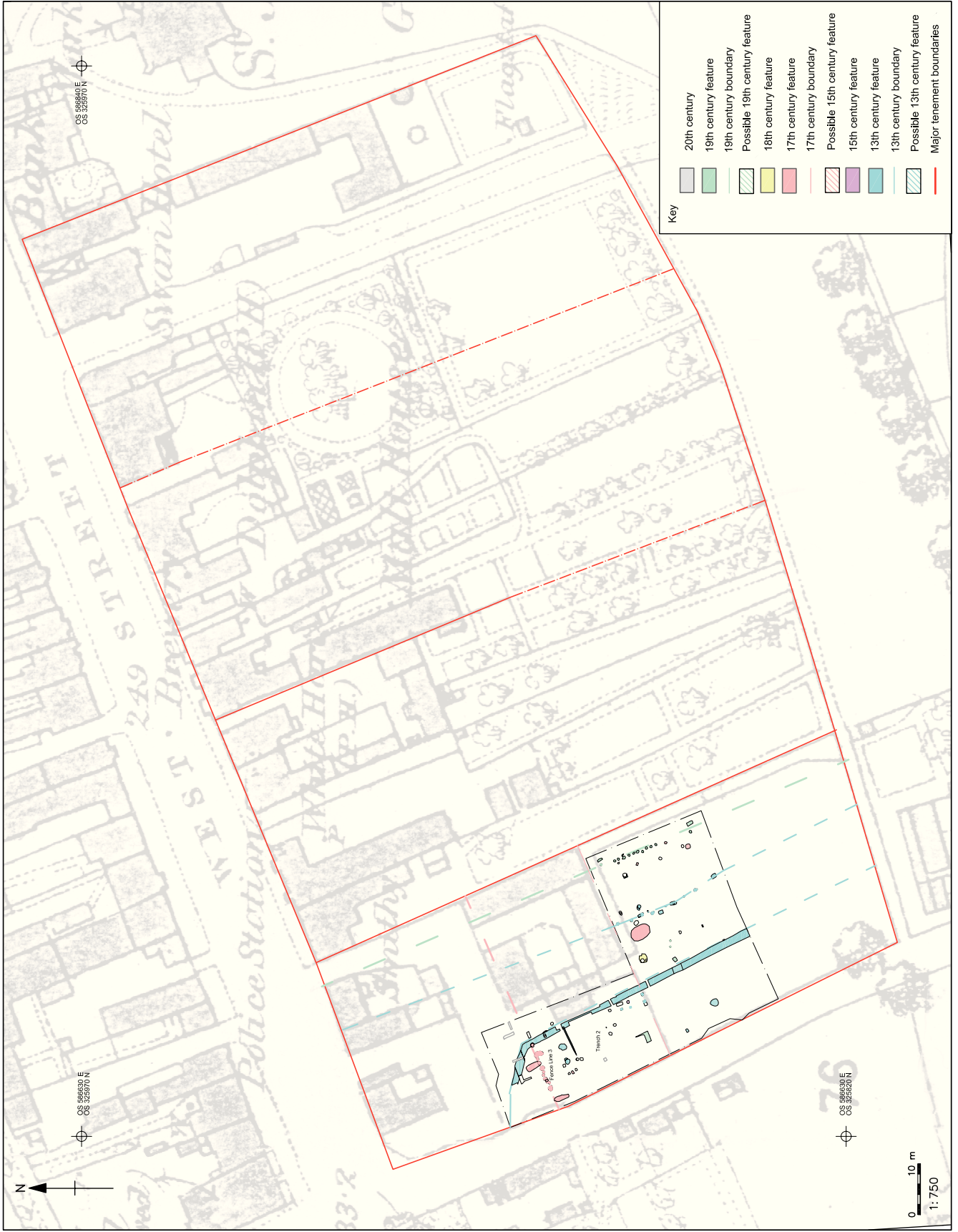


Figure 7: The excavated area in relationship to tenement boundaries, known and hypothesised, based on the OS 1870 first edition county series

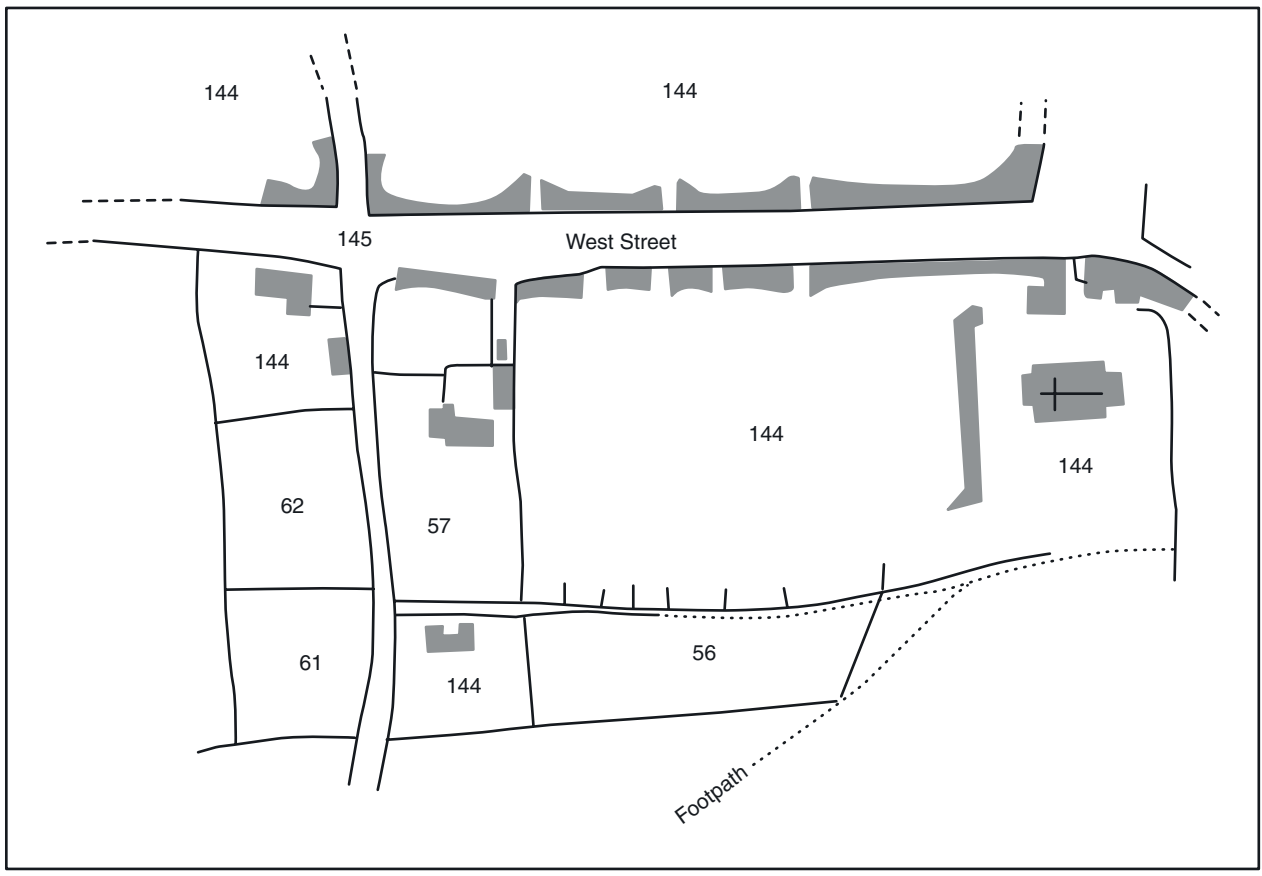


Figure 8: Extract from New Alresford Tithe Apportionment Map, 1843

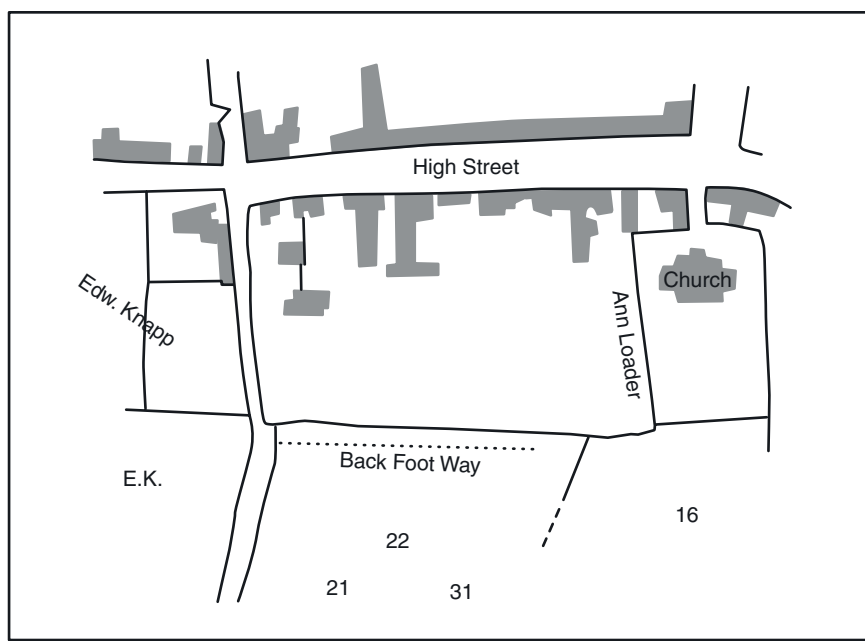


Figure 9: Extract from the Plan of the Parish of New Alresford, 1805



Plate 1: Looking south along Boundary Ditch 113



Plate 2: Looking south-west across south of site, Fence line 1 in the centre, running towards the portacabins



Head Office/Registered Office

Janus House
Osney Mead
Oxford OX2 0ES

t: +44 (0) 1865 263 800
f: +44 (0) 1865 793 496
e: info@thehumanjourney.net
w: <http://thehumanjourney.net>

OA North

Mill 3
Moor Lane
Lancaster LA1 1GF

t: +44 (0) 1524 541 000
f: +44 (0) 1524 848 606
e: oanorth@thehumanjourney.net
w: <http://thehumanjourney.net>

OA East

15 Trafalgar Way
Bar Hill
Cambridgeshire
CB23 8SQ

t: +44 (0) 1223 850 500
f: +44 (0) 1223 850 599
e: oeast@thehumanjourney.net
w: <http://thehumanjourney.net/oeast>

OA Méditerranée

115 Rue Merlot
ZAC La Louvade
34 130 Maugeio
France

t: +33 (0) 4.67.57.86.92
f: +33 (0) 4.67.42.65.93
e: oamed@oamed.fr
w: <http://oamed.fr/>



Director: David Jennings, BA MIFA FSA

*Oxford Archaeological Unit is a
Private Limited Company, N^o: 1618597
and a Registered Charity, N^o: 285627*